

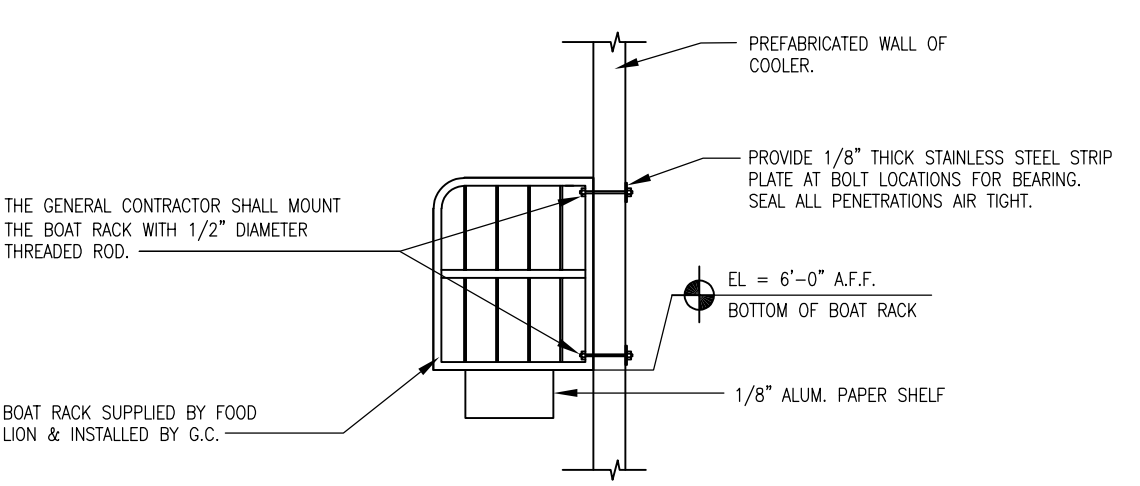
PROFESSIONAL'S SEAL:



CORPORATE SEAL:

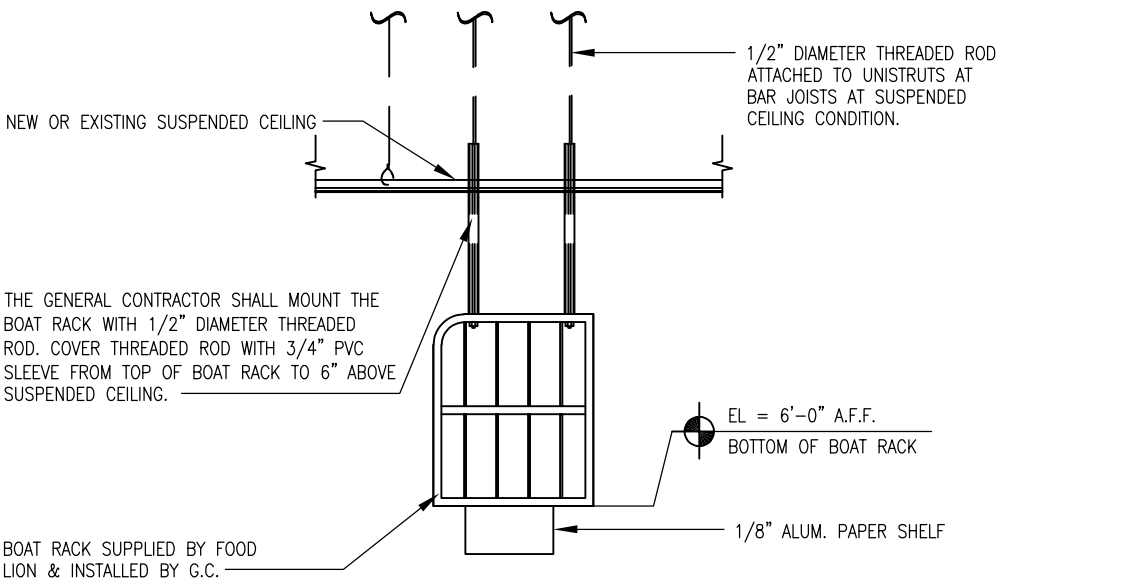


NOTE: G.C. TO VERIFY THAT ALL EXISTING BOAT RACKS HAVE PVC SLEEVES OVER THREADED RODS. WHEN NOT EXISTING G.C. TO PROVIDE PVC SLEEVE PER THIS DETAIL.



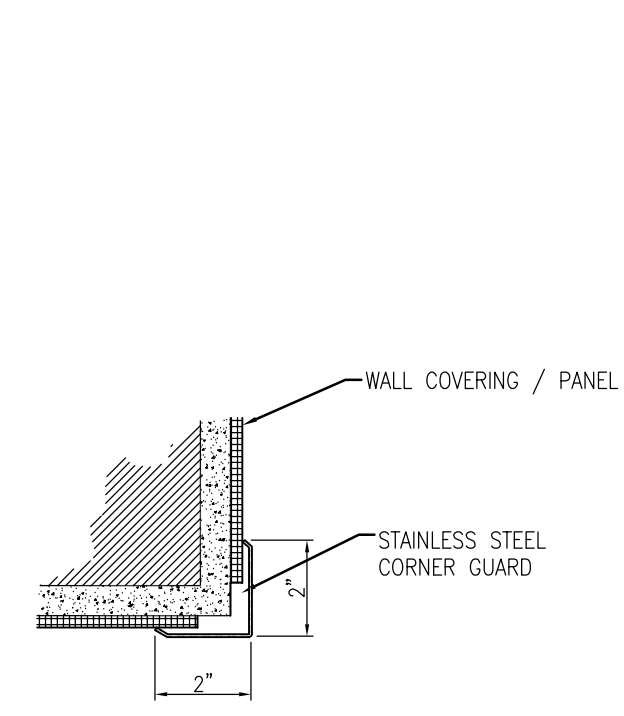
1 WALL MOUNTED BOAT RACK AT COOLER
 A3.01 1/2" = 1'-0"

NOTE: G.C. TO VERIFY THAT ALL EXISTING BOAT RACKS HAVE PVC SLEEVES OVER THREADED RODS. WHEN NOT EXISTING G.C. TO PROVIDE PVC SLEEVE PER THIS DETAIL.

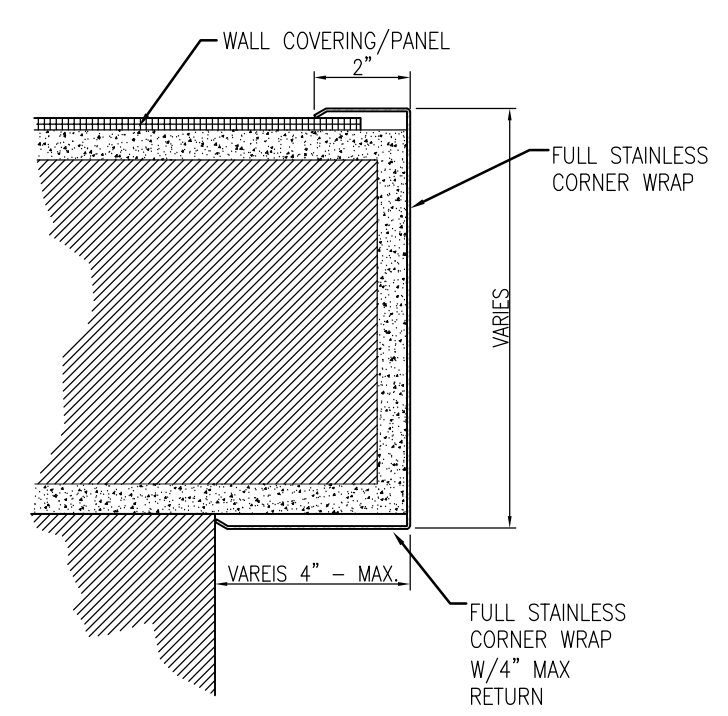


2 SUSPENDED BOAT RACK AT LAY-IN CEILING
 A3.01 1/2" = 1'-0"

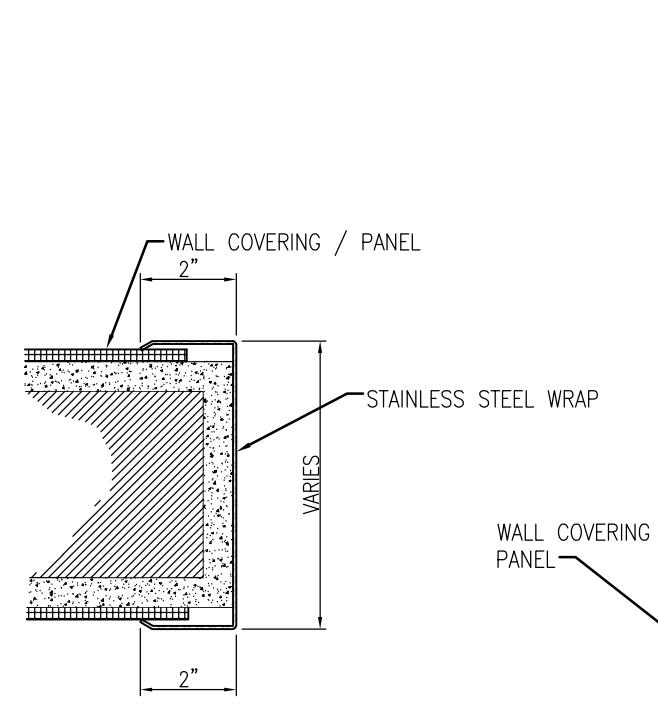
UTILIZE THE GUIDELINES BELOW FOR STAINLESS STEEL WRAPS, CORNER GUARDS, THRESHOLDS, ETC.
 1. COLUMN WRAPS - 22 GA., FINISH #3.
 2. CORNER GUARDS - 18 GA., FINISH #3. NON-HEMMED EDGES.
 3. DOOR FRAME WRAPS - 18 GA., FINISH #3.
 4. OVEN/HOOD FLASHING - 20 GA., FINISH #3.
 5. DOOR PLATES - 18 GA., FINISH #3.
 6. THRESHOLDS - 11 GA., FINISH #2B.
 ALL MATERIAL IS STAINLESS STEEL AND SHALL BE PVC COVERED FOR PROTECTION DURING INSTALLATION AND CAULKING.



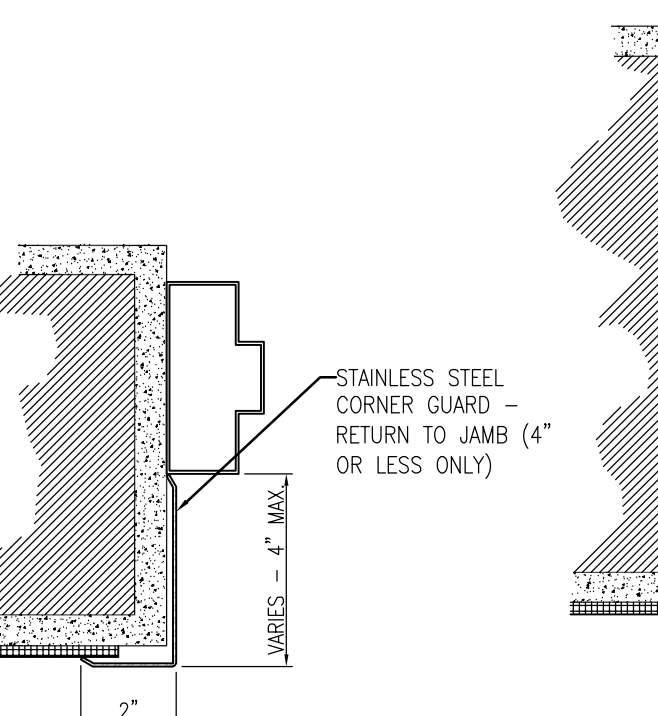
3 STANDARD STAINLESS STEEL CORNER GUARD
 A3.01 3" = 1'-0"



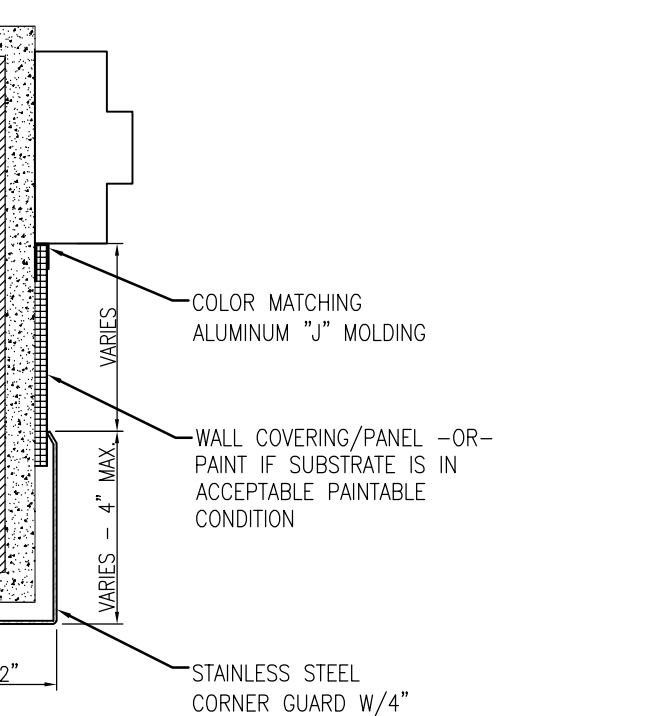
4 STAINLESS STEEL FULL WRAP W/STAINLESS RETURN
 A3.01 3" = 1'-0"



5 STANDARD STAINLESS STEEL FULL WRAP
 A3.01 3" = 1'-0"

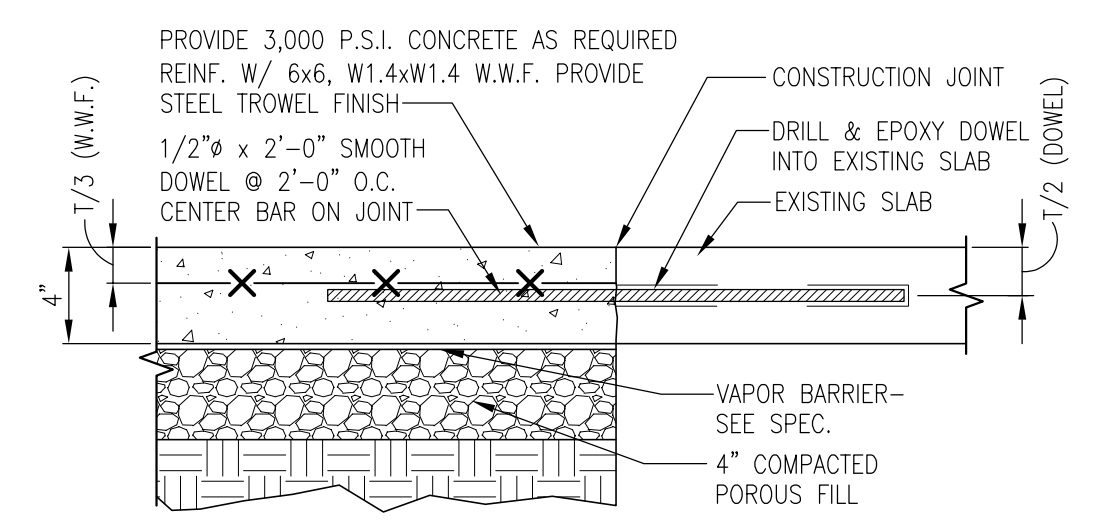


6 STAINLESS STEEL CORNER GUARD W/STAINLESS RETURN
 A3.01 3" = 1'-0"

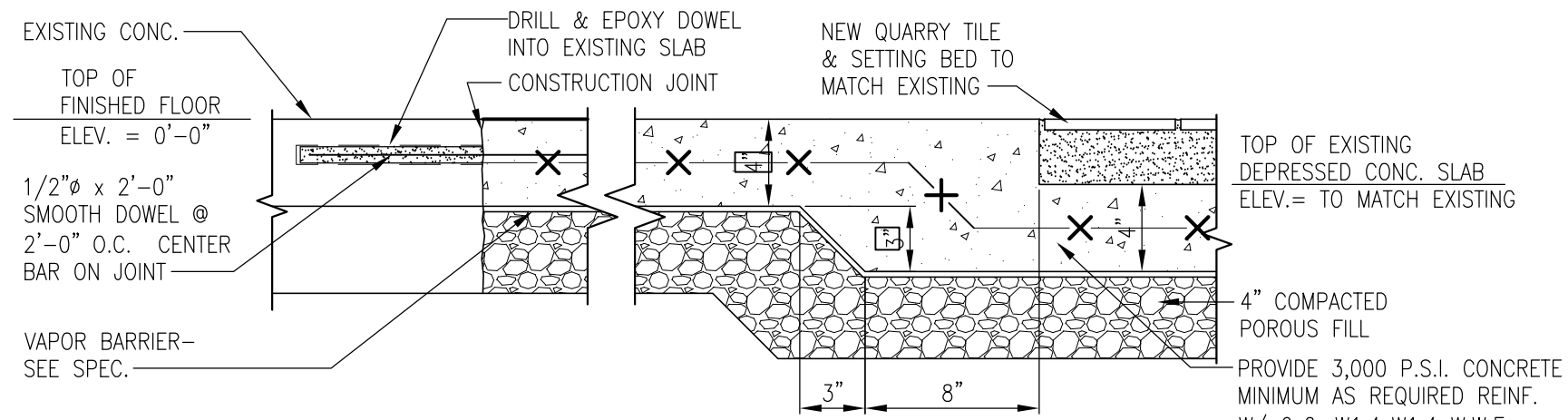


7 STAINLESS STEEL CORNER GUARD W/PANEL RETURN
 A3.01 3" = 1'-0"

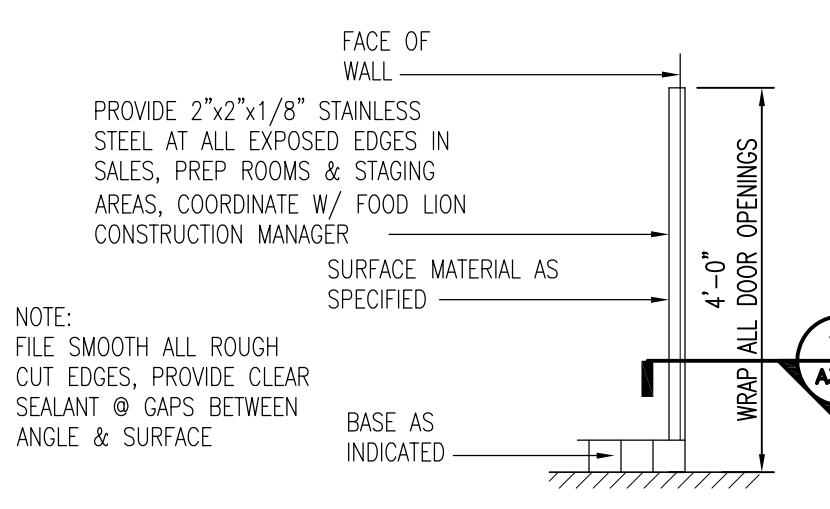
TYPICAL STAINLESS TRIM DETAILS



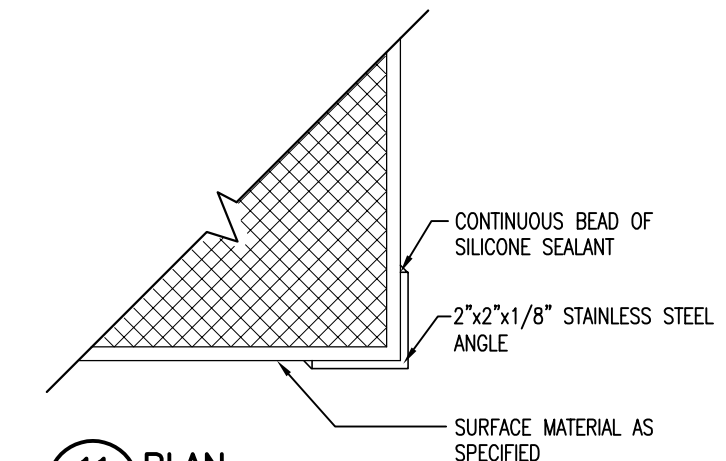
8 SLAB JOINT DETAIL - TYPICAL
 A3.01 SCALE: 1 1/2" = 1'-0"



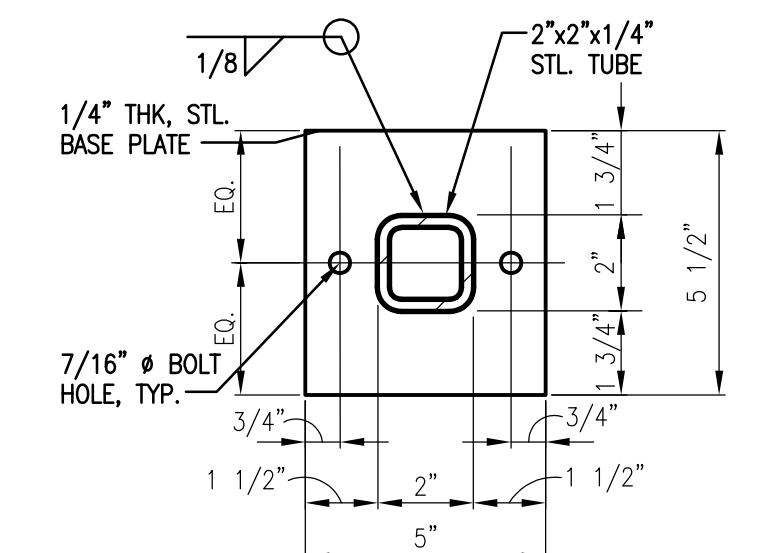
9 DEPRESSED SLAB JOINT DETAIL
 A3.01 SCALE: 1 1/2" = 1'-0"



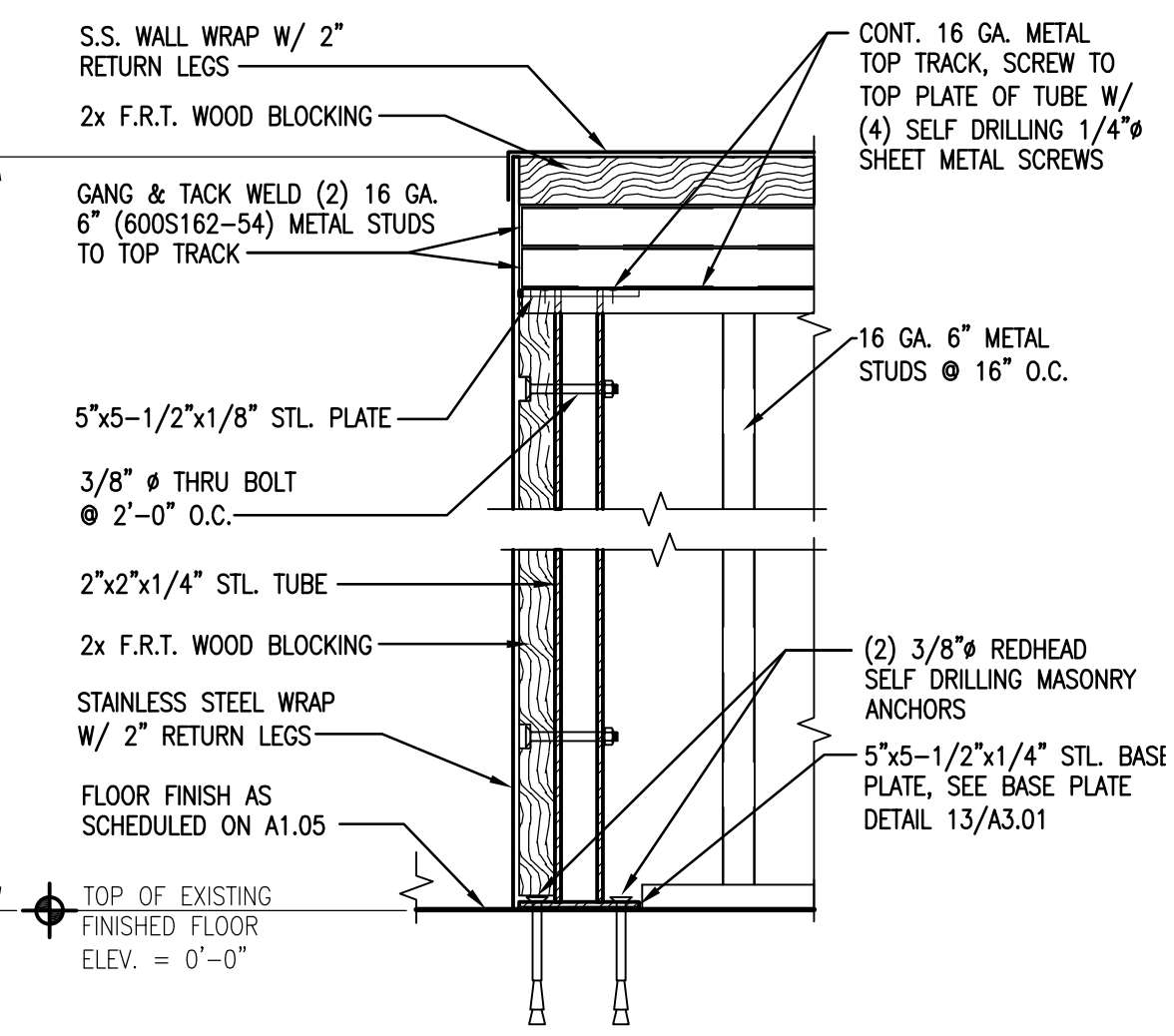
10 CORNER GUARD ELEVATION DETAIL
 A3.01 1/2" = 1'-0"



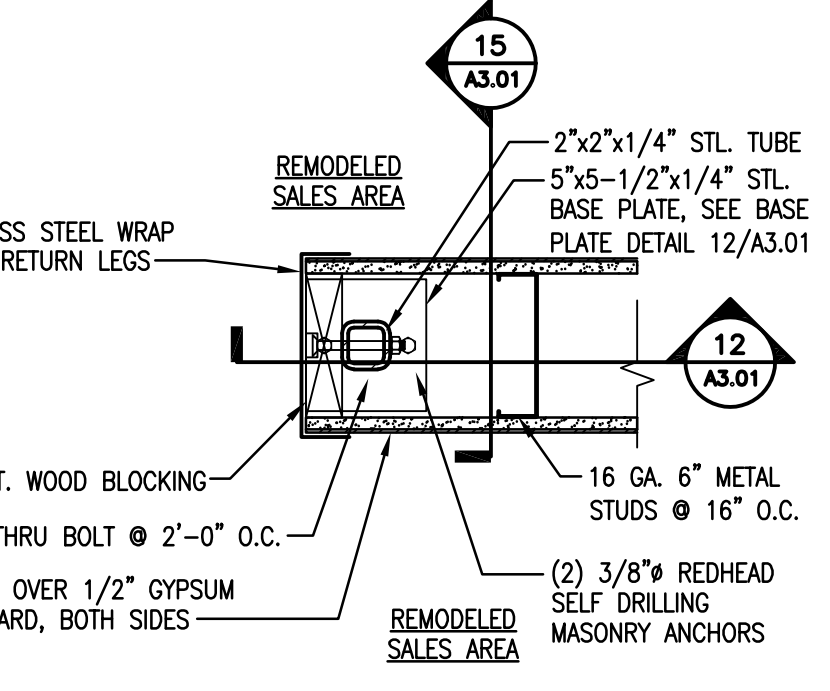
11 PLAN
 A3.01 3" = 1'-0"



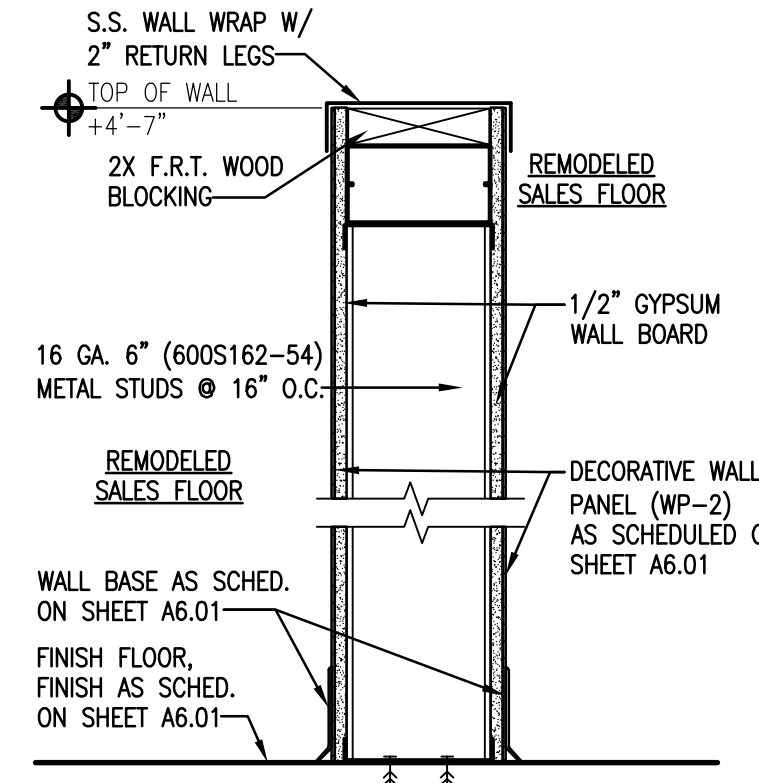
13 BASE PLATE DETAIL
 A3.01 3" = 1'-0"



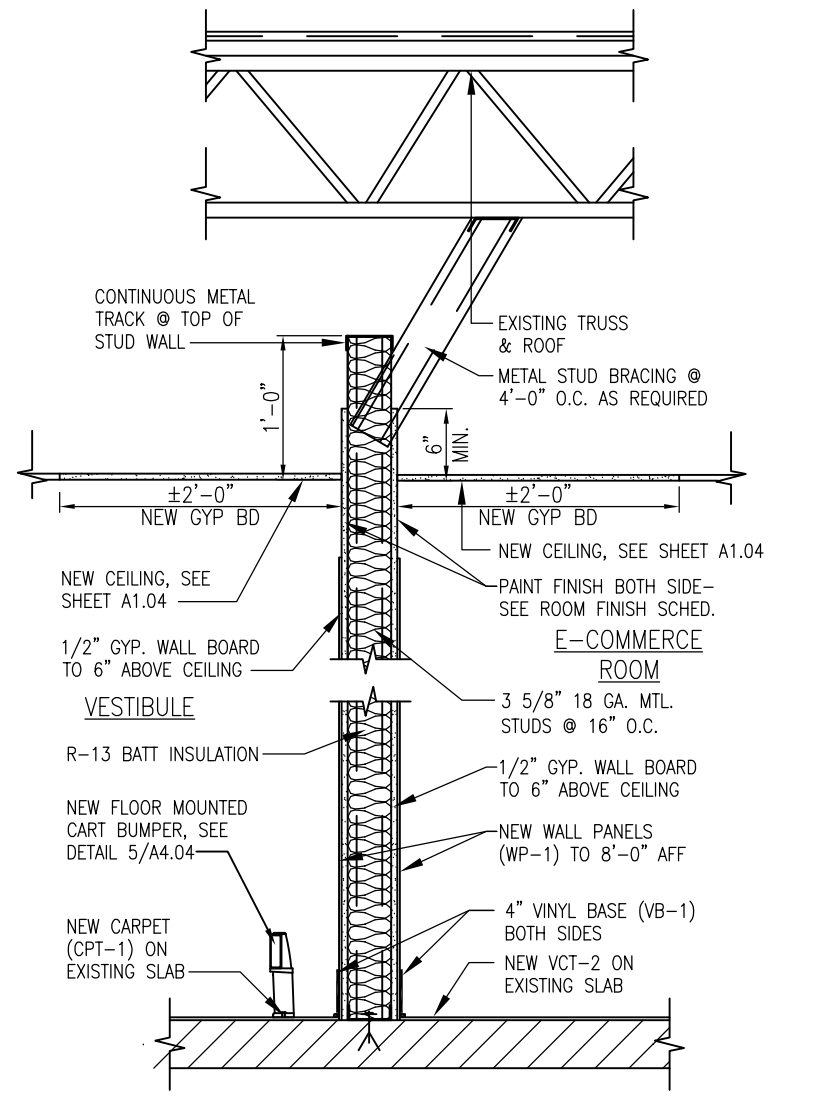
12 SUPPORT POST SECTION DETAIL
 A3.01 SCALE: 1 1/2" = 1'-0"



14 SUPPORT POST PLAN DETAIL
 A3.01 SCALE: 1 1/2" = 1'-0"



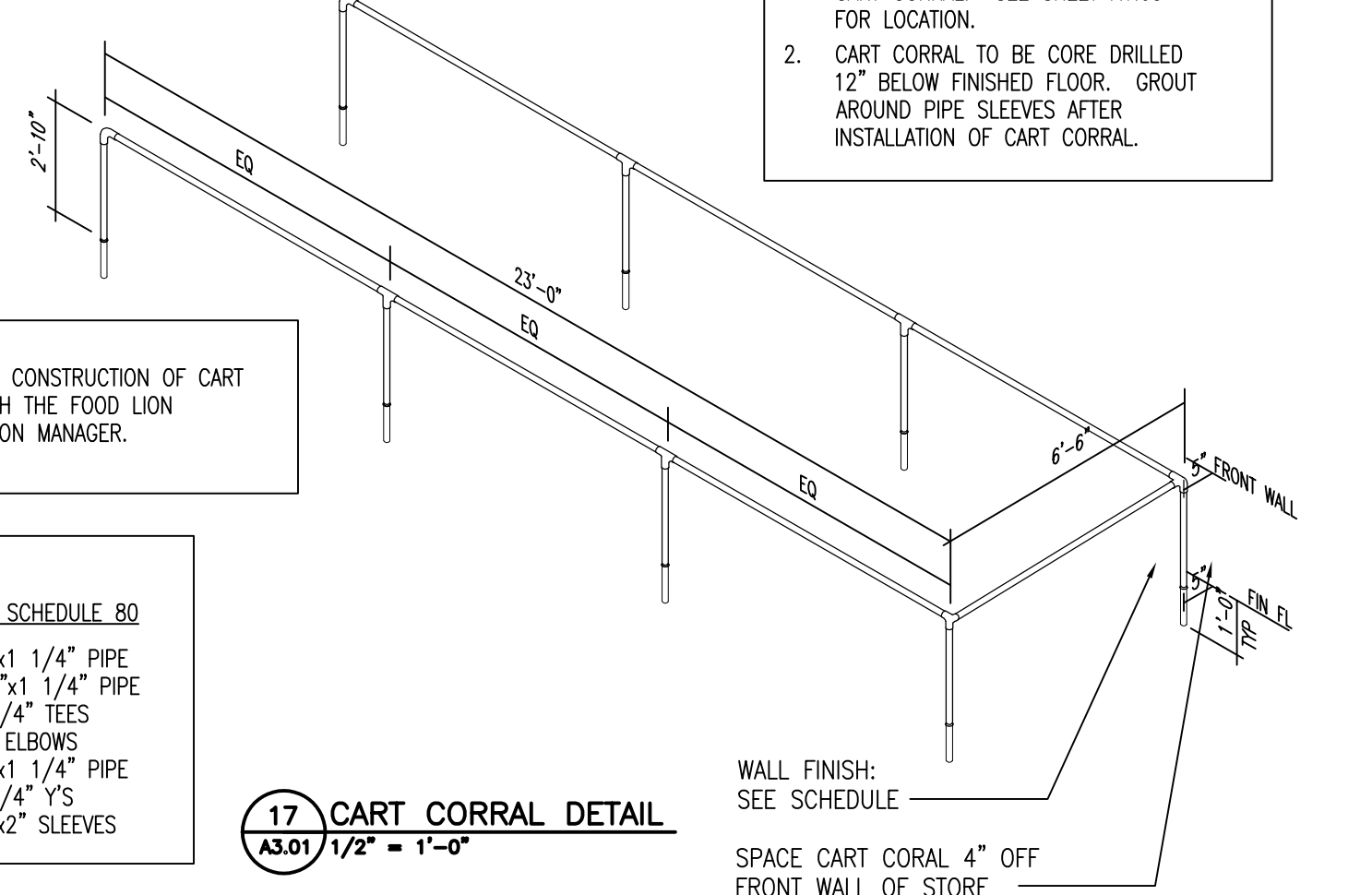
15 WALL SECTION
 A3.01 SCALE: 1 1/2" = 1'-0"



16 SECTION @ GWB WALL BETWEEN VESTIBULE & E-COMMERCE ROOM
 A3.01 3/4" = 1'-0"

NOTE: COORDINATE CONSTRUCTION OF CART CORRAL WITH THE FOOD LION CONSTRUCTION MANAGER.

- MATERIALS:**
- PIPE TO BE SCHEDULE 80
- (8) - 48"x1 1/4" PIPE
 - (6) - 114"x1 1/4" PIPE
 - (4) - 1 1/4" TEES
 - (2) - 90° ELBOWS
 - (1) - 74"x1 1/4" PIPE
 - (2) - 1 1/4" Y'S
 - (8) - 12"x2" SLEEVES



17 CART CORRAL DETAIL
 A3.01 1/2" = 1'-0"

NOTE:
 1. GENERAL CONTRACTOR SHALL FURNISH ALL MATERIAL AND INSTALL CART CORRAL. SEE SHEET A1.03 FOR LOCATION.
 2. CART CORRAL TO BE CORE DRILLED 12" BELOW FINISHED FLOOR. GROUT AROUND PIPE SLEEVES AFTER INSTALLATION OF CART CORRAL.

REVISIONS

NO	DATE	REMARKS
1	00/00/00	COMMENTS

END

FOOD LION
 2110 Executive Drive, Salisbury, NC 28145
 703.666.6600
 foodlion.com
 Food Lion is an Ahold Delhaize company.

FOOD LION REMODEL STORE #1657
 4330 E. TENTH STREET
 GREENVILLE, NC

PROJECT NO: 1657FLMK22
 DATE: 08/29/2022

13 OF 40
A3.01
 WALL SECTIONS & DETAILS

CHECKED: A.J.L. DRAWN: VFS