

PROFESSIONAL'S SEAL:



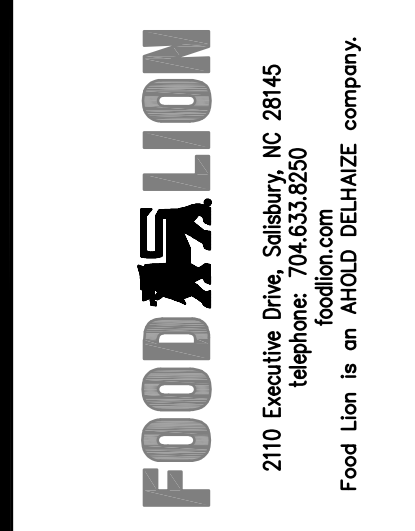
CORPORATE SEAL:



REVISIONS

NO.	DATE	REMARKS
-	00/00/00	-

END



**FOOD LION REMODEL STORE #1657**  
 4330 E. TENTH STREET  
 GREENVILLE, NC

PROJECT NO: 1657FLMK22  
 DATE: 08/29/2022

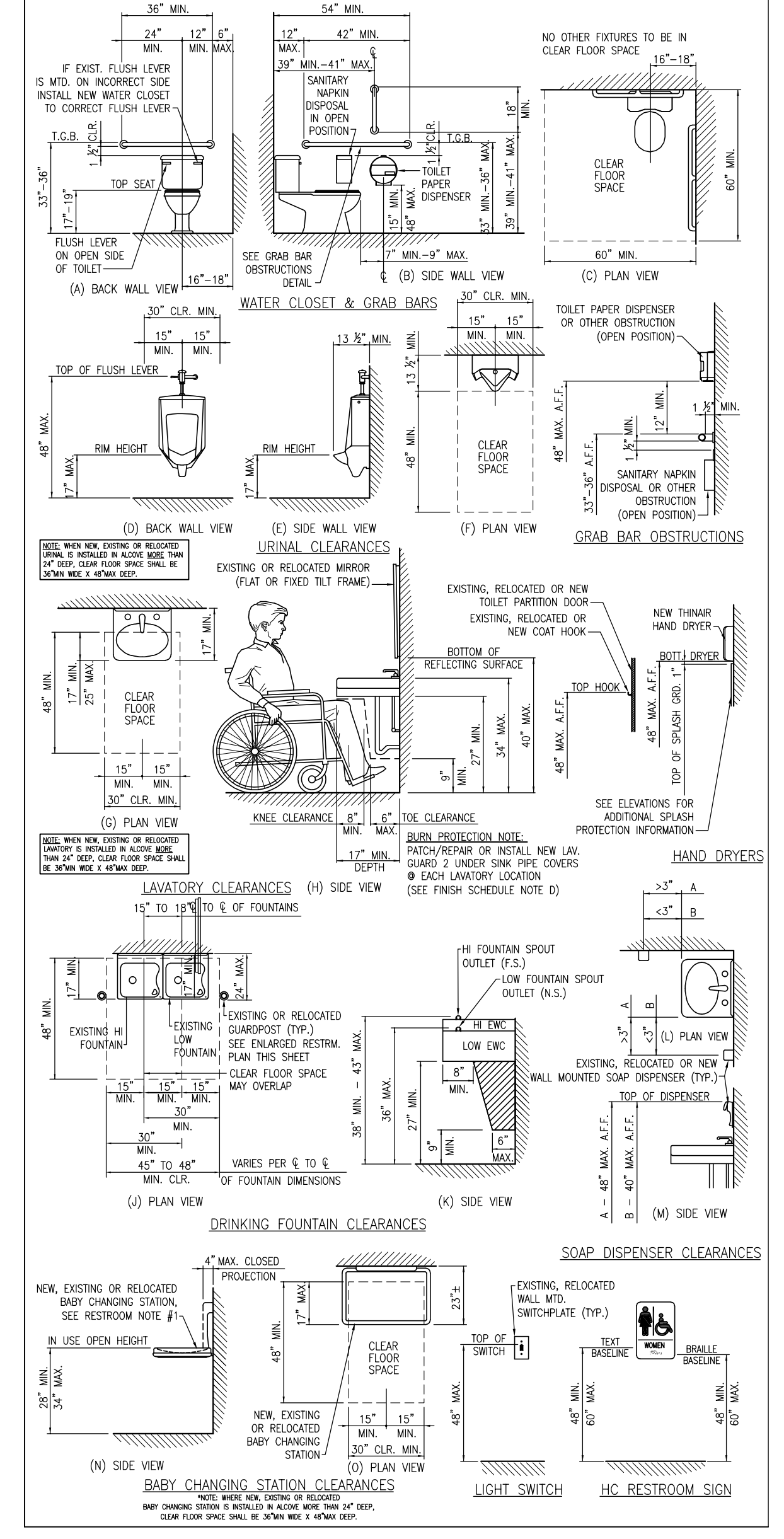
15 OF 40

**A4.03**  
 ENLARGED RESTROOM PLANS & DETAILS

CHECKED: A.J.L. DRAWN: VFS

**TYPICAL HANDICAP DETAILS**

REFER TO PLANS AND ELEVATIONS FOR SPECIFIC HANDICAP LOCATIONS. ALL NEW/EXISTING/RELOCATED PLUMBING FIXTURES, GRAB BARS AND ACCESSORIES INTENDED FOR HANDICAP ACCESSIBLE USE SHALL BE INSTALLED/REINSTALLED PER CLEARANCES AND MOUNTING HEIGHTS INDICATED IN THESE TYPICAL HANDICAP DETAILS. ANY CLEARANCES OR MOUNTING HEIGHTS NOT SHOWN IN THE TYPICAL HANDICAP DETAILS SHALL BE INSTALLED/REINSTALLED PER THE RESTROOM ELEVATIONS SHOWN ON THIS SHEET.



**RESTROOM GENERAL NOTES:**

- THE CHANGING TABLE SHALL BE MOUNTED IN ACCORDANCE WITH THE MANUFACTURER'S INSTALLATION MANUAL. ALL BUILDING CODES, REGULATIONS AND ORDINANCES RELATING TO CLEARANCE AND A.D.A. REGULATIONS.
- CHANGING TABLE MANUFACTURED BY: SAFESTRAP COMPANY, INC. 105 WEST DEWEY AVENUE, BUILDING D SUITE 410, WHARTON, NJ 07845 CONTACT: TOLL FREE 1-800-356-7796 "DIAPER-DEPOT BASIC HORIZONTAL 2300 SERIES BABY CHANGING STATION" MODEL #2300, COLOR: DEEP IVORY. PHONE (973) 442-4623.
- HAND DRYER ORDERING INFORMATION ORDER FROM: GEORGE SCOTT ASSOCIATES CONTACT: CURTIS SCOTT (704) 376-4775. ORDER RECESSED-KIT FOR MODIFICATION
- MIRRORS BY: BOBRICK WASHROOM EQUIPMENT INC. - SEE SPECIFICATIONS
- NEW TOILET FIXTURES & SINKS TO BE "WHITE" COLORED
- EACH TOILET PARTITION DOOR SHALL RECEIVE 2 COAT HOOKS, ONE HOOK SHALL BE MOUNTED @ 47" A.F.F. AND THE OTHER @ 59" A.F.F. TO BE THROUGH BOLTED.
- EACH TOILET PARTITION DOOR SHALL HAVE A PULL HANDLE MOUNTED ON BOTH SIDES OF THE DOOR @ 42" A.F.F.
- CAULK FIXTURES IN RESTROOMS.
- ANY WORK IN RESTROOMS TO BE SCHEDULED TO ALLOW FOR AT LEAST ONE OPEN AT ALL TIMES. COORDINATE WITH FOOD LION CONSTRUCTION MANAGER.
- REMOVE EXISTING SANITARY NAPKIN DISPENSER FROM WOMEN'S RESTROOM - REINSTALL AFTER NEW TILE WORK IS COMPLETE.
- TOILET PAPER DISPENSER TO BE MOUNTED 48" A.F.F. AND 2"-6" OFF BACK WALL TO CENTERLINE OF OUTLET OF DISPENSER.
- EXISTING FIXTURES AND TOILET ACCESSORIES REMOVED FOR INSTALLATION OF PORCELAIN WALL TILE ARE TO BE INSTALLED PER ADA COMPLIANCE.
- GRAB BARS SHALL BE MOUNTED TO SUPPORT A FORCE OF 250 LBS. APPLIED @ ANY POINT IN ANY DIRECTION. PROVIDE & INSTALL WOOD BLOCKING IN WALL @ NEW TILE OR USE BOBRICK "WING-IT" FASTENERS @ EXISTING TILE.
- PROVIDE LAVATORIES IN RESTROOMS WITH TRAP AND RISER INSULATION KIT.
- PROVIDE R-11 BATT SOUND INSULATION IN WALLS AND ABOVE CEILING IN RESTROOMS WHEN WALLS ARE NEW. COORDINATE WITH PARTITION TYPES. INSTALL INSULATION ABOVE CEILING IN EXISTING CONDITIONS, IF NOT EXISTING.

**TOILET ACCESSORY LEGEND**

STATUS OF ACCESSORIES	TOILET ACCESSORY (FROM PROTOTYPE)
NEW	A EXCEL - THIN AIR STAINLESS STEEL FINISH ELECTRIC HAND DRYER - SURFACE MOUNTED
EXISTING	B BABY CHANGING TABLE, SEE NOTE #2
RELOCATED	C 36" GRAB BAR
EXISTING	D 42" GRAB BAR
EXISTING	E 18"x30" MIRROR - BOBRICK B-165
EXISTING	F 18"x30" MIRROR (TILTED) - BOBRICK B-293
EXISTING	G SOAP DISPENSER (BY VENDOR)
EXISTING	H TOILET PAPER DISPENSER - SCA MODEL # 661, MOUNT BOTTOM AT +21" A.F.F.
EXISTING	I SANITARY NAPKIN/TAMPON DISPOSAL - SCA BOBRICK B-254, MOUNT TOP AT +28" A.F.F.
EXISTING	J FLOOR DRAIN
EXISTING	K TOILET PARTITIONS, SEE NOTE #6 & #7
EXISTING	L SCHLUTER QUADRE 1/4" SQUARE EDGE CORNER GUARD
NEW	M 18" VERTICAL GRAB BAR
NEW	N PATCH WALLS AS REQUIRED WHERE DISTURBED BY DEMOLITION.
EXISTING	O CULTURED MARBLE WALL GUARD

\* ASTERISK INDICATES EXISTING TOILET ACCESSORY TO BE REINSTALLED. CONTRACTOR SHALL COORDINATE WITH FOOD LION CONSTRUCTION MANAGER FOR REMOVAL AND REUSE OF EXISTING TOILET ACCESSORIES.

- NOTE: ALL FIXTURES, PARTITIONS, AND ACCESSORIES TO REMAIN U.N.O. GC TO STORE FOR REUSE. COORDINATE REUSE OF ITEMS WITH FOOD LION CONSTRUCTION MANAGER.
- NOTE: SEE PLAN DETAILS 2 & 3/A4.03 FOR LOCATION OF RELOCATED ITEMS. COORDINATE W/ ELEC. DRWG'S.
- NOTE: ALL EXISTING FLOOR TILE & WALL TILE TO REMAIN. PATCH / REPAIR AS NECESSARY

- NOTE: EXISTING TOILETS, LAVS, & URINALS TO REMAIN
- NOTE: EXISTING HAND DRYER TO BE REMOVED
- NOTE: EXISTING REAR GRAB BARS TO BE REMOVED & SAVED TO BE RELOCATED, SEE DETAIL 2/A4.03

- NOTE: EXISTING HAND DRYER TO BE REMOVED
- NOTE: EXISTING HAND DRYER TO BE REMOVED
- NOTE: EXISTING HAND DRYER TO BE REMOVED
- NOTE: EXISTING HAND DRYER TO BE REMOVED

- NOTE: ALL NEW / RELOCATED FIXTURES & ACCESSORIES TO BE MOUNTED TO MEET ADA STANDARDS
- NOTE: NO CHANGE TO EXISTING RESTROOMS #2 & #3

