

PLUMBING FIXTURE SCHEDULE

Table with 10 columns: MARK, FIXTURE, MANUFACTURER/SUPPLIER, MODEL No., MATERIAL, SIZE, FAUCET AND DRAIN, TRAP, SUPPLIES AND STOPS, REMARKS. Rows include items like WATER CLOSET, TANK TYPE WATER CLOSET, WATER CLOSET (HC), TANK TYPE WATER CLOSET (HC), URINAL, LAVATORY, LAVATORY (HC), TWO LEVEL ELECTRIC WATER COOLER, SINGLE WATER COOLER, MIXING FAUCET, WALL HYDRANT, CAN WASH FAUCETT, FLOOR DRAIN, TRENCH DRAIN, FLOOR CLEAN-OUT, TWO WAY CLEAN-OUT IN CONCRETE, TWO-WAY CLEAN-OUT, MEAT PREP SINK, PRODUCE PREP SINK, WATER HEATER, WATER HEATER (ALTERNATE GAS), WATER HEATER (PREHEATER), SCAFFOLD & MEAT PREP HAND SINK, DELI-BAKERY SINK, GREASE TRAP, FLOOR DRAIN, FLOOR DRAIN, FLOOR DRAIN, WALL-CLEANOUT, PRODUCE PREP HAND SINK, WATER HAMMER ARRESTER, FLOOR-SINK, MOP-BASIN, MOP-BASIN, WATER HEATER, 2 COMPARTMENT D/B CHECKED SINK AND SEAFOOD SINK, 2 COMPARTMENT VEGETABLE SINK, DELI/BAKERY HAND SINK, ROOF DRAIN, HOSE-BIBB, LOUNGE SINK AND COUNTER, EXPANSION TANK, EXPANSION TANK, EXPANSION TANK, EMER. EYEWASH UNIT WITH BRACKET, DECK MOUNTED EYEWASH, TRAP-PRIMER, RECESSED WALL HYDRANT.

PLUMBING SCHEDULE NOTES: 1. THE COLOR FOR ALL WATER CLOSETS, URINALS AND LAVATORIES SHALL BE "WHITE". 2. P-33 EMERGENCY EYE WASH STATION AND S19-2000 MIXING VALVE PROVIDED BY FOOD LION AND INSTALLED BY PLUMBING CONTRACTOR AT 36" AFF. FLOOR DRAIN NOT REQUIRED. 3. VTR'S SHALL BE A MINIMUM OF 10' FROM ANY FRESH AIR INTAKE, COORDINATE AS REQUIRED WITH MECHANICAL CONTRACTOR AND MECHANICAL ROOM PLAN.

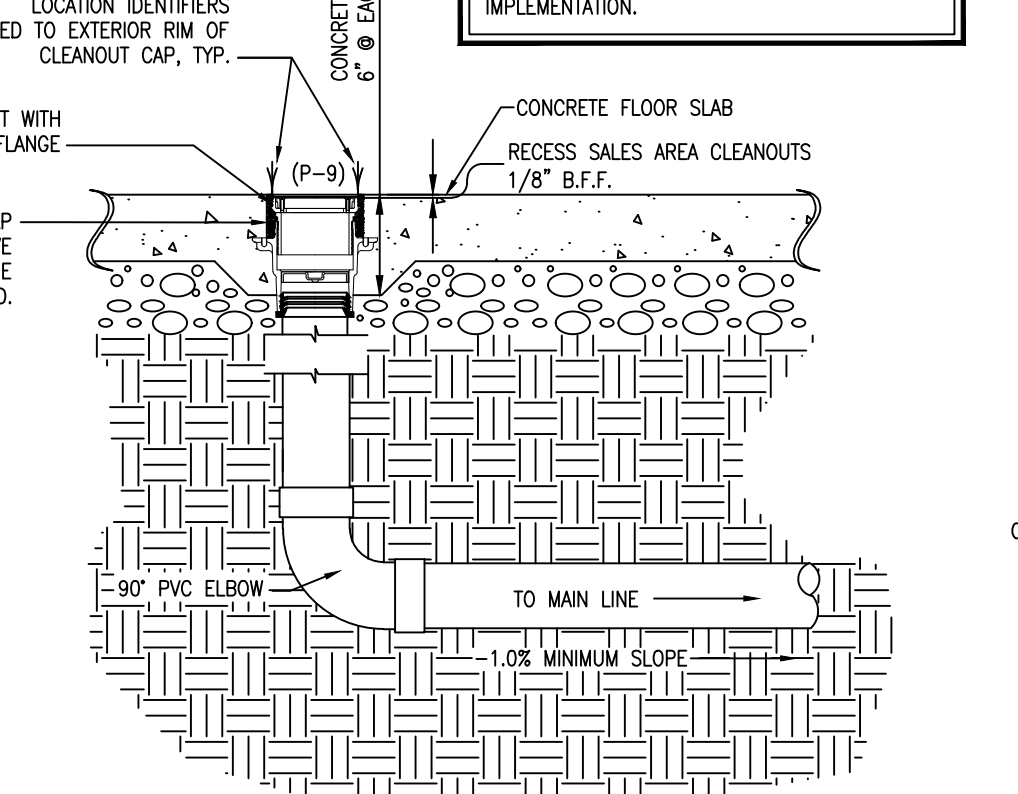
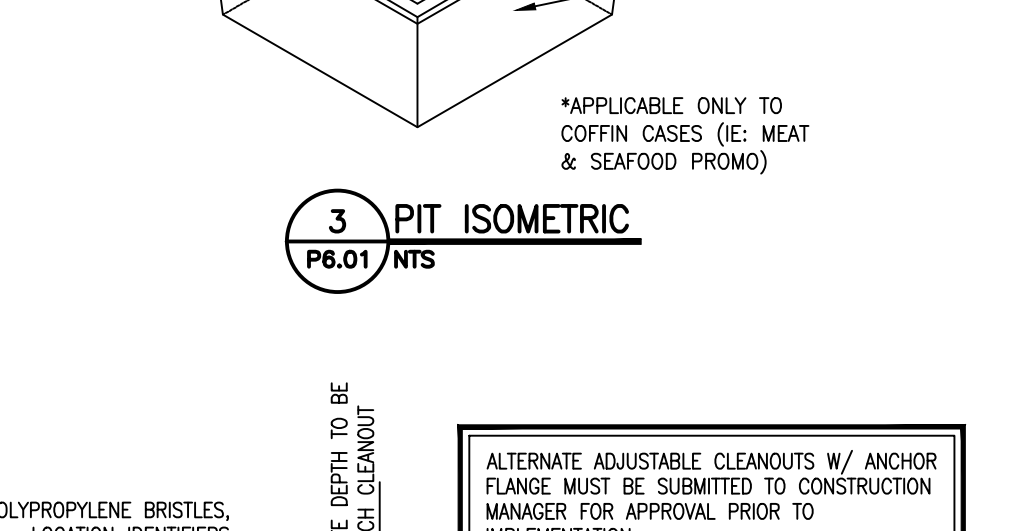
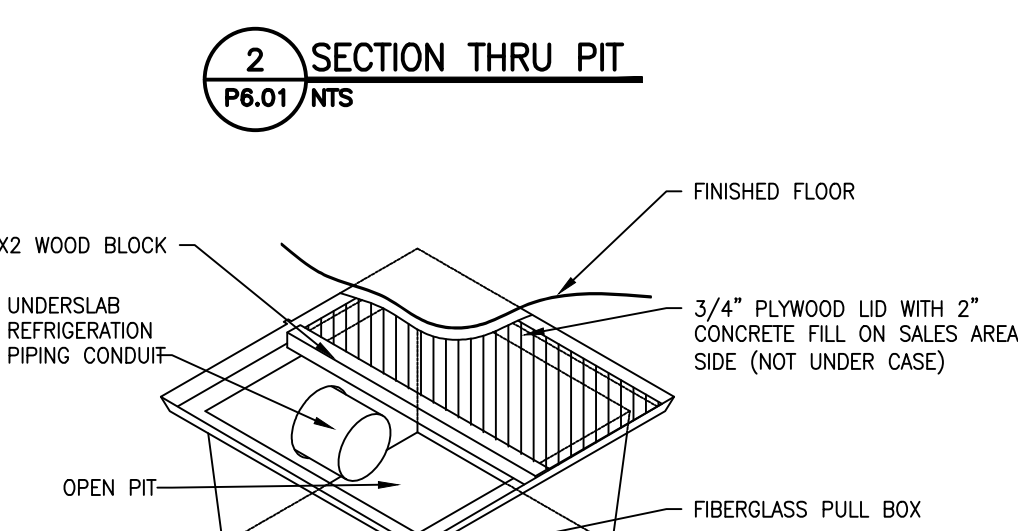
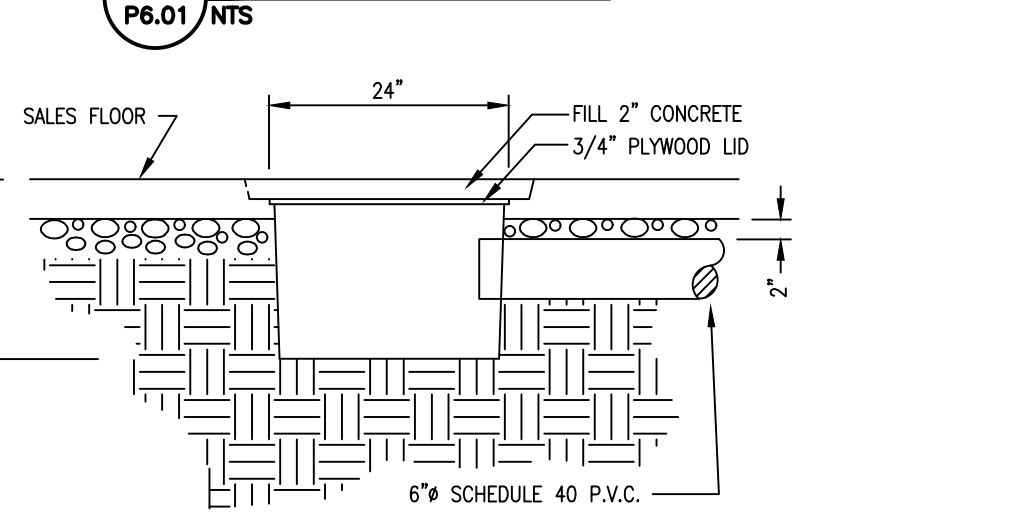
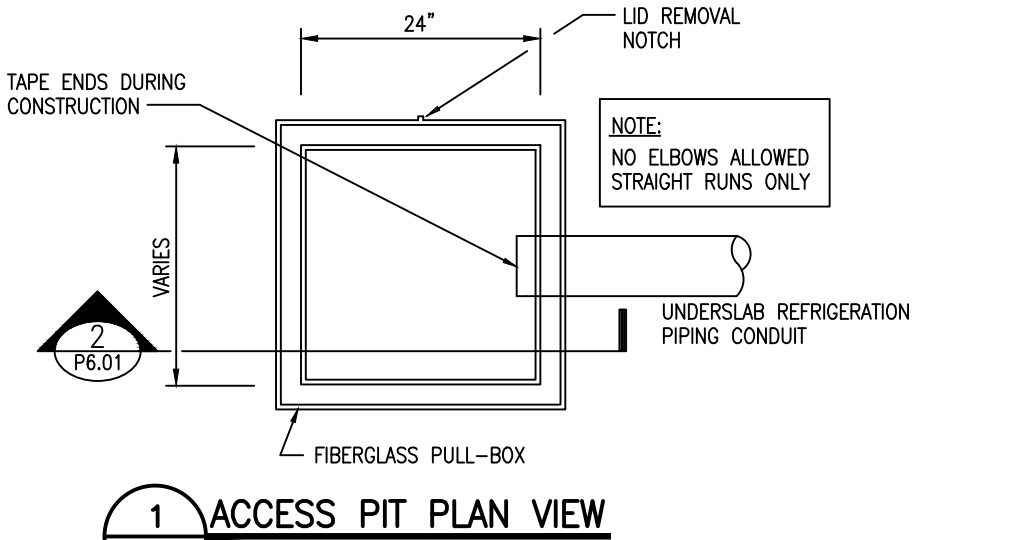
FIXTURE NOTE: FOR PLUMBING FIXTURES MARKED P-10, P-11, P-14, P-15, P-21 & P-22 THE SINK TUBS SHALL BE FABRICATED WITH 16 GAUGE STAINLESS STEEL & THE DRAIN BOARDS SHALL BE FABRICATED WITH 14 GAUGE STAINLESS STEEL. SEE THE "FOOD LION" SINK SPECIFICATION FOR MORE INFORMATION.

ACCEPTABLE ALTERNATE MANUFACTURERS:

- P-1 TOTO CT705EN KOHLER K-4350
P-1A TOTO CT705ELN KOHLER K-4358
P-2 TOTO UT447E (0.5 GPF) KOHLER K-4940-ET (0.5 GPF)
P-3 TOTO L1307.4 KOHLER K-2054
P-4 HALSEY TAYLOR WM-16W
P-5 KOHLER K-8906
P-6 SMITH 5609-0T WOODFORD MODEL 60 WADE W-8520-L JOSAM 71050-50 WATTS HY420-6
P-6A SMITH 5560 WADE W-8606-HC JOSAM 71650-52-80 WATTS HY420-6
P-7 AMERICAN STANDARD 8344-111
P-8 SMITH 2005-DV-PB WADE W-1104-157-31-2 JOSAM 30004-7E-2 WATTS FD-100-A7-8
P-8A J.R. SMITH 89930 - SYSTEM P-8B J.R. SMITH 89930 - SYSTEM
P-17 JOSAM 39964 W/67104A WATTS FD-460-F-9 WADE W-1640
P-18 SMITH 2415-B-PB WADE W-2310-1-14 W/2450 JOSAM 37810-20-14-2 W/67104A WATTS FD-460-F-5-9
P-19 JOSAM 32300-1-88100 SMITH 2120 WATTS FD-320-Y-6 WADE W-1310-1-W/ W-2450
P-20 WATTS CO-590-RD WADE W-8590/ W-8480R
P-23 SIOUX CHIEF 861.3PX
P-29 WATTS RD-300K

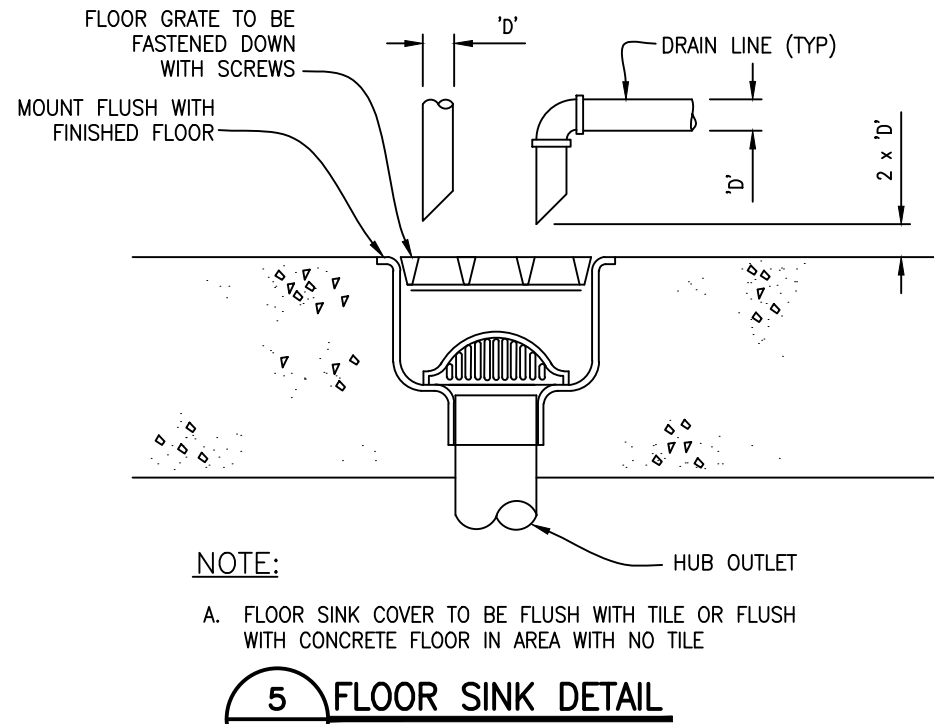
LOCATION & PHONE FOR FIXTURE SUPPLIERS:

- PLASTIC ODDITIES JOHN BOOS (HEFOD, LLC)
GRAINGER
JOSAM
THERMA-STOR
ABT, INC.
WATTS
WADE
B&G
SHELBY, NC
ROSWELL, GA
CHARLOTTE, NC
RICHMOND, VA
DEC INTERNATIONAL
TROUTMAN, NC
SPINDALE, NC
CHARLOTTE, NC
MORTON GROVE, IL
PH:(800) 438-5327
PH:(800) 327-1817
PH:(704) 904-6151
PH:(800) 446-2728
PH:(800) 533-7533
PH:(800) 438-6057
OR (704) 525-3043
PH:(800) 338-2581
PH:(704) 525-3043
PH:(847) 986-3700

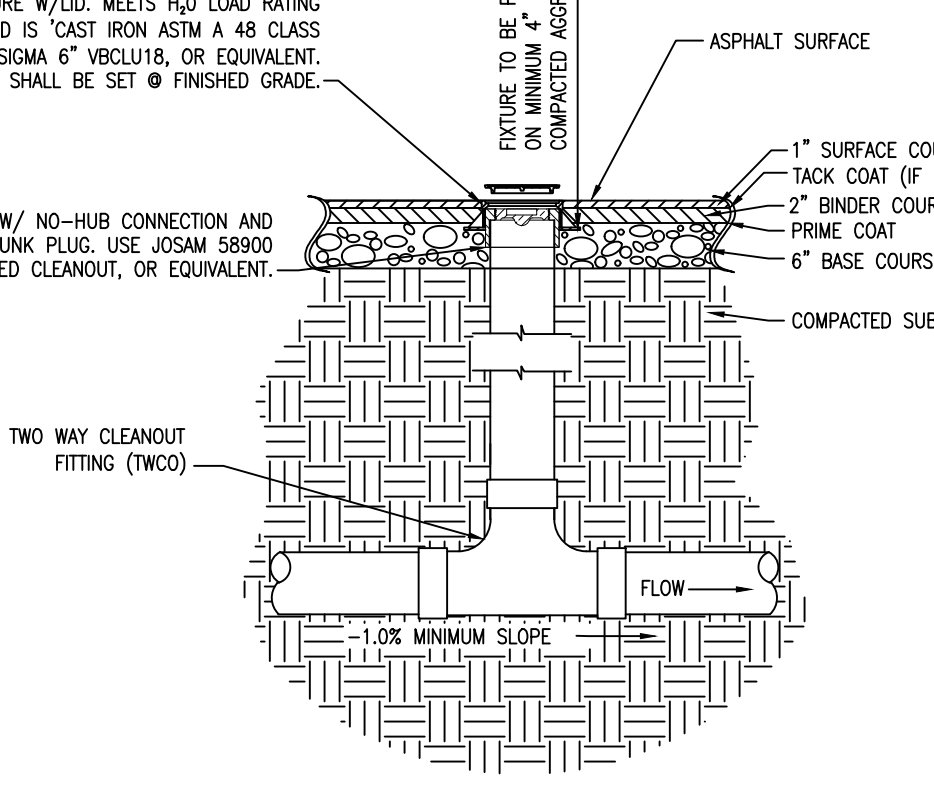


1 ACCESS PIT PLAN VIEW P6.01 NTS

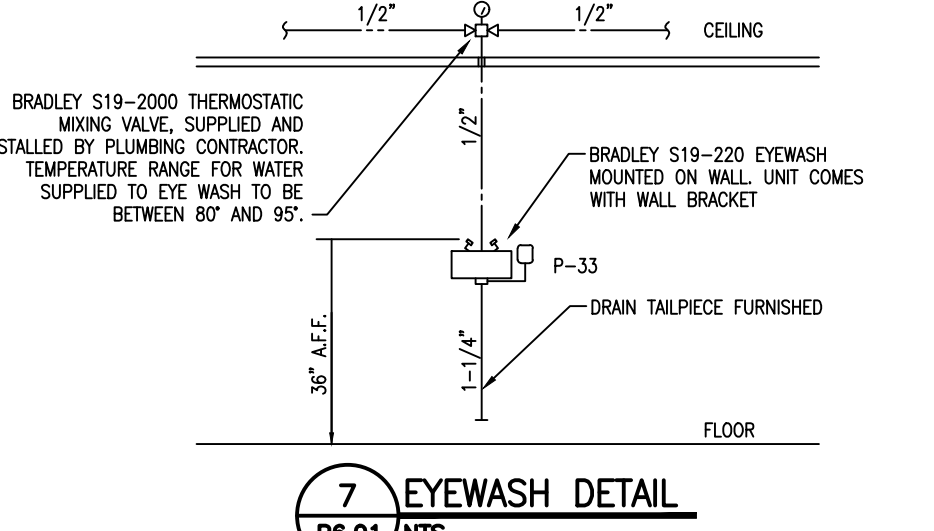
4 SALES AREA CLEANER SECTION P6.01 NTS



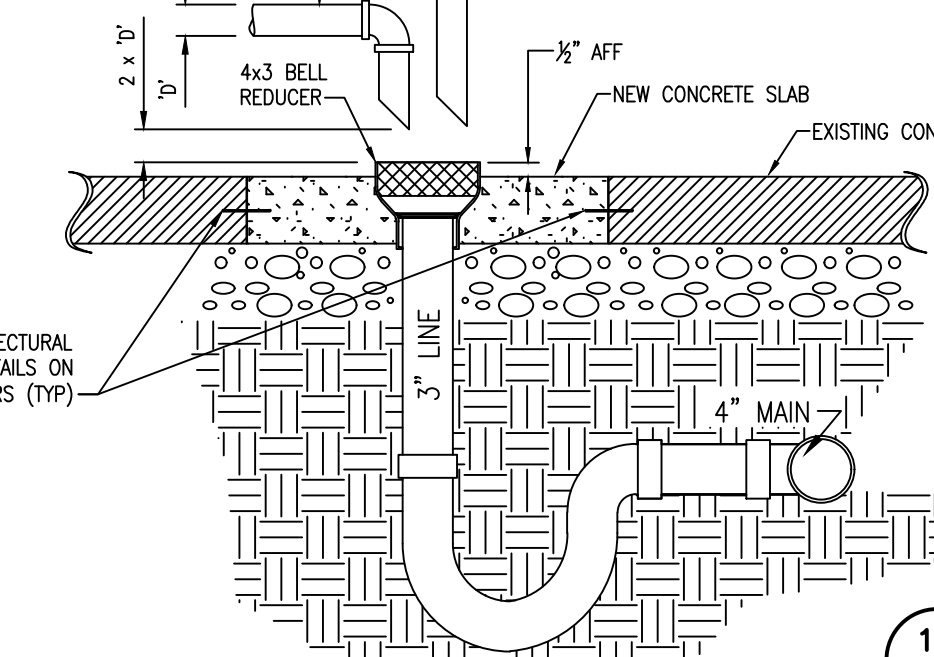
5 FLOOR SINK DETAIL P6.01 NTS



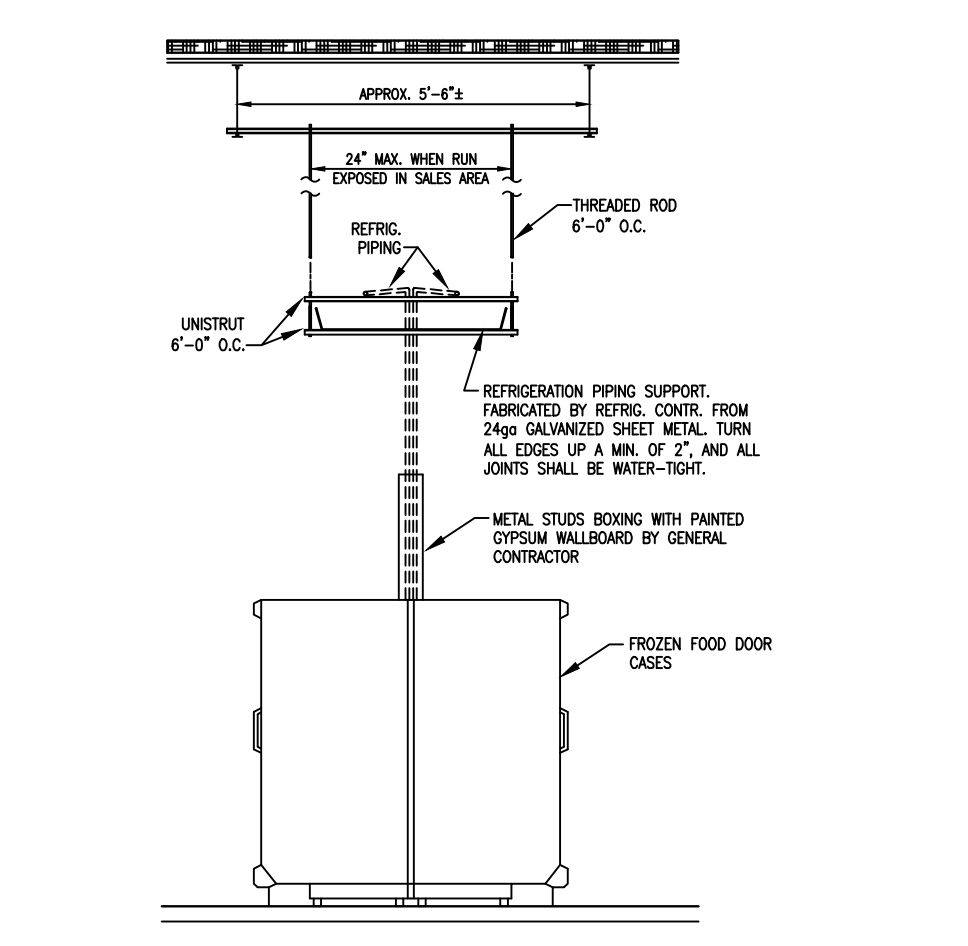
6 TWO WAY CLEANOUT SECTION WHEN INSTALLED IN ASPHALT (P9-B) P6.01 NTS



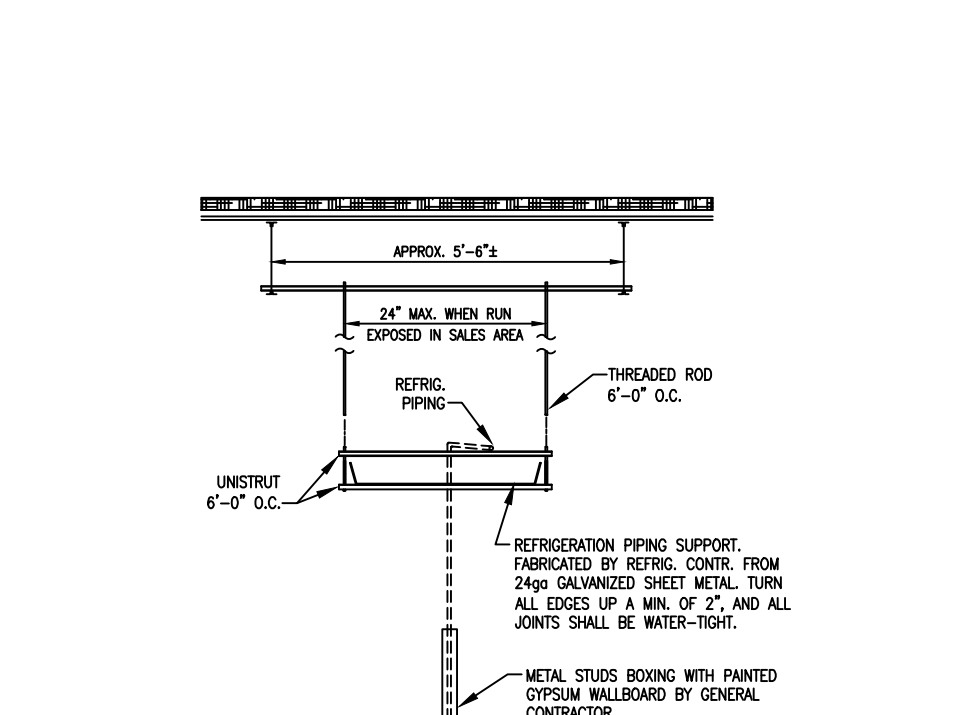
7 EYEWASH DETAIL P6.01 NTS



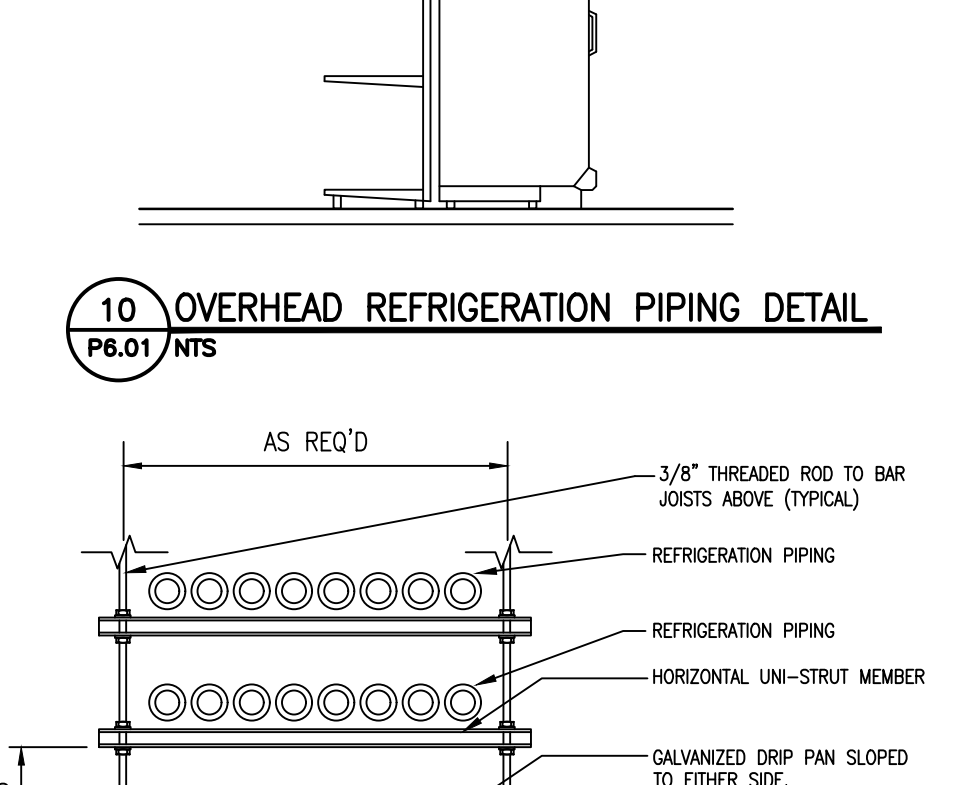
8 HUB DRAIN INSTALLATION DETAIL P6.01 NTS



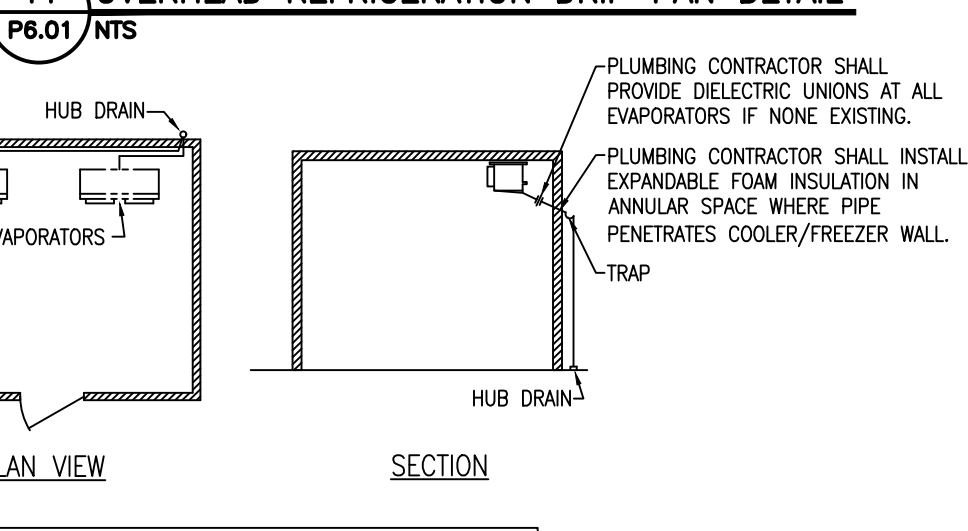
9 OVERHEAD REFRIGERATION PIPING DETAIL P6.01 NTS



10 OVERHEAD REFRIGERATION PIPING DETAIL P6.01 NTS



11 OVERHEAD REFRIGERATION DRIP PAN DETAIL P6.01 NTS

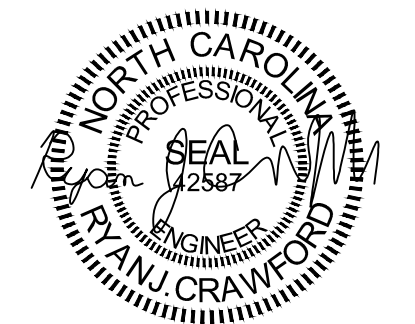


12 TYPICAL CONDENSATE DRAINS P6.01 NTS

CONDENSATE DRAIN NOTES: 1. CONDENSATE DRAIN LINES TO BE 3/4" MIN. TYPE "M" COPPER WITH 1 1/2" MINIMUM STANDBOFFS FROM WALL, BY PLUMBING CONTRACTOR. 2. CONDENSATE DRAIN LINES FROM FREEZERS TO HAVE EASY HEAT COPPER TUBE HEATER 20 WATTS PER LINEAR FT. 120 V AC OR APPROVED EQUAL TAPE INSTALLATION BY REFRIGERATION CONTRACTOR. 3. CONDENSATE DRAIN LINES SHALL LEAVE FREEZERS AT 45 DEGREE THROUGH WALL. 4. ALL COPPER CONDENSATE PIPING TO BE PROVIDED WITH COPPER-COATED HANGERS AND CLAMPS. NO DISSIMILAR METAL ALLOWED. INSTALL ONE HANGER PER EVAPORATOR DRAIN (PRODUCE PREP & MEAT PREP). 5. SLOPE IN COOLER 1/4"FOOT TO HUB DRAIN. SLOPE IN FREEZER 3"FOOT TO HUB DRAIN. 7. EACH EVAPORATOR SHALL HAVE ITS OWN DRAIN LINE RUNNING TO HUB DRAIN.

ALLIANCE ARCHITECTURE OF THE TRIAD 720 Coliseum Drive, Suite 112 Winston-Salem, NC 27106 Phone: 336-722-4447

PROFESSIONAL'S SEAL:



CORPORATE SEAL:

PAGE INTERWORKS, P.A. ENGINEERS & CONSULTANTS

2110 Executive Drive, Salisbury, NC 28145 Telephone: 704.633.8250 Food Lion is an ABC/DBL/HAZE company.

REVISIONS: NO DATE, 00/00/00. COMMENTS.

END

PROJECT NO: 1657/FLMK22 DATE: 08/29/2022

25 OF 40 P6.01 PLUMBING SCHEDULES AND DETAILS CHECKED: RJC DRAWN: BJE

FOOD LION REMODEL STORE #1657 4330 E. TENTH STREET GREENVILLE, NC