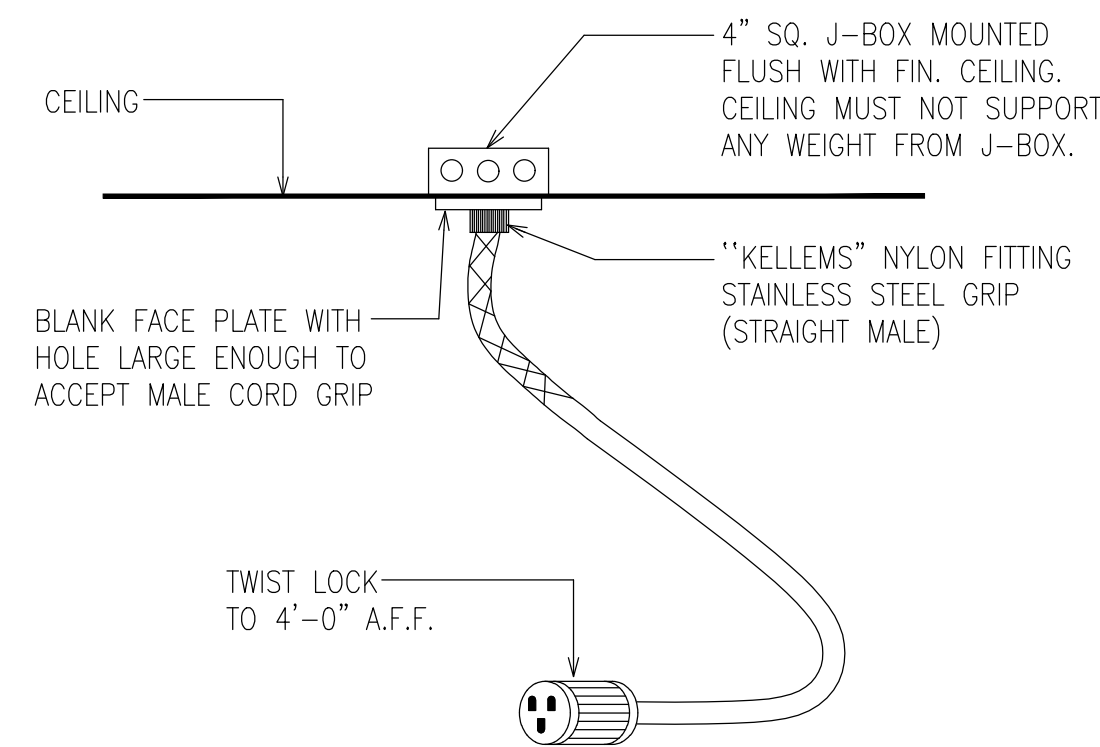
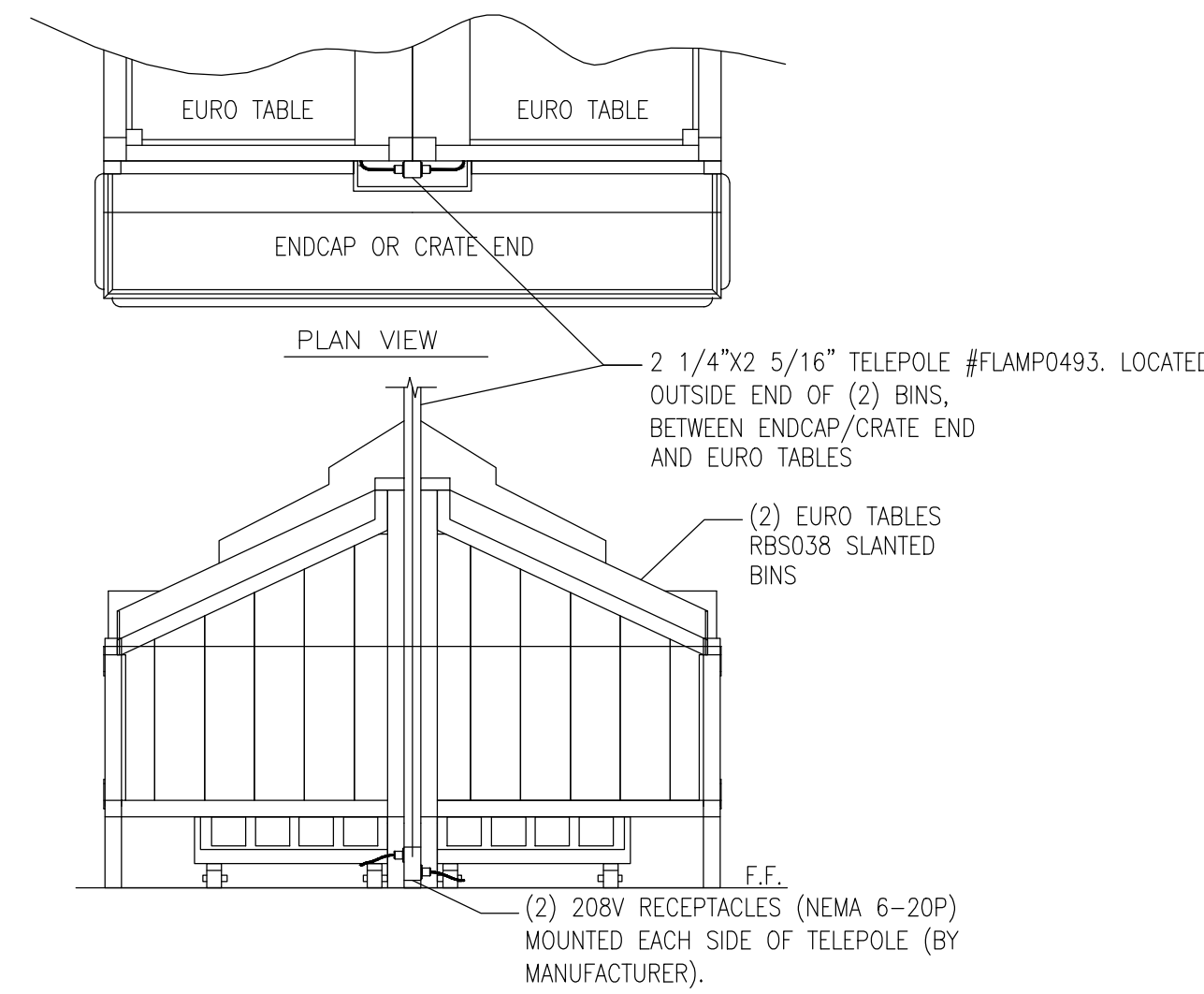


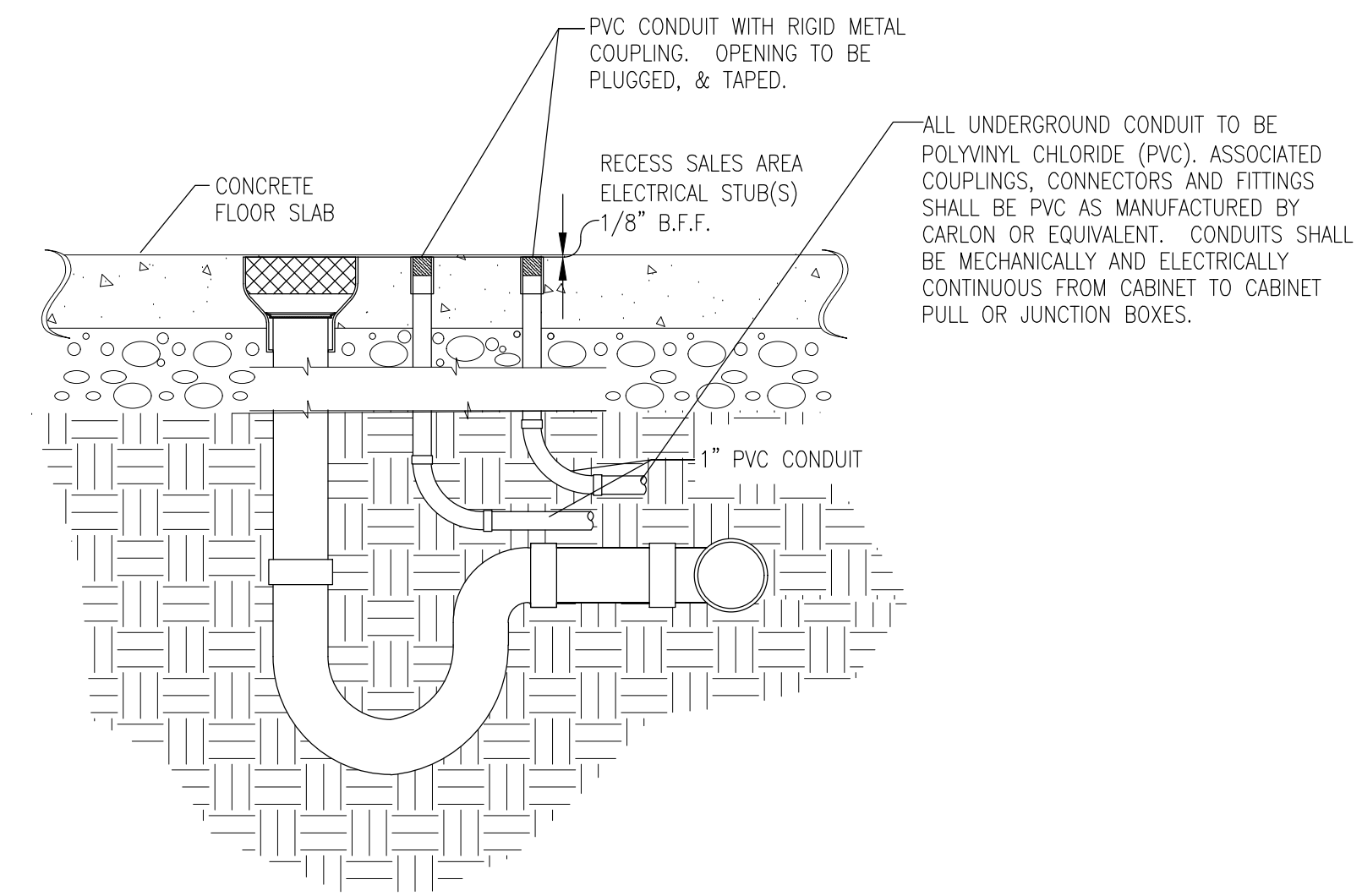
NOTE
CEILING THICKNESS MAY VARY...
USE BOX EXTENSIONS TO COMPENSATE
FOR ANY DIFFERENCE IN CEILING



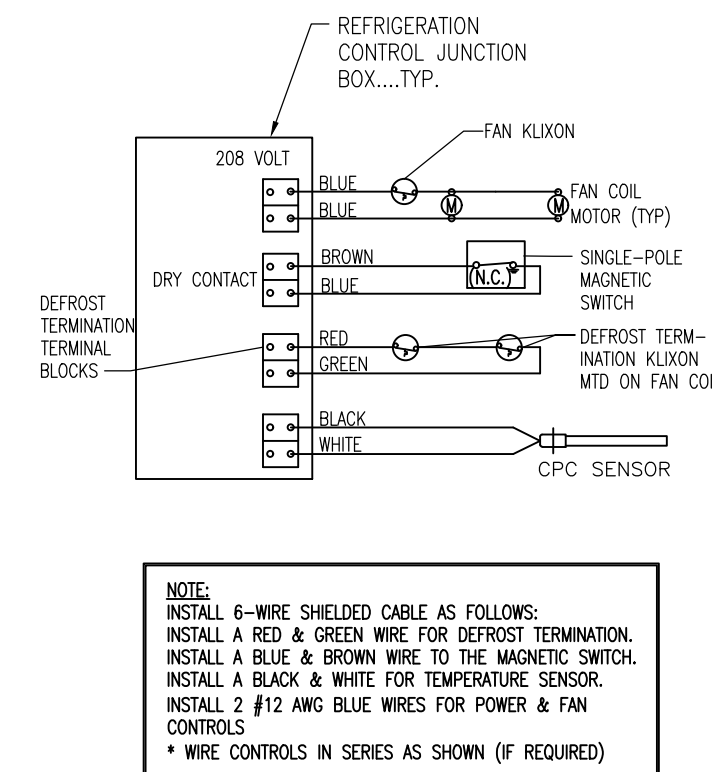
1 HANGING TWIST LOCK DETAIL
E5.01 NOT TO SCALE



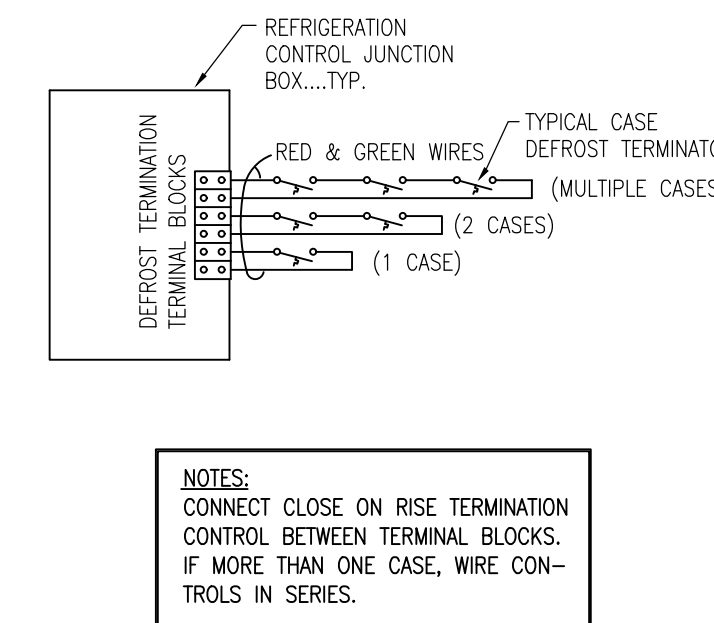
2 DUAL PRODUCE SLANT BIN DETAIL
E5.01 NOT TO SCALE



3 SALES FLOOR ELECTRICAL STUBS AT CASES
E5.01 NOT TO SCALE

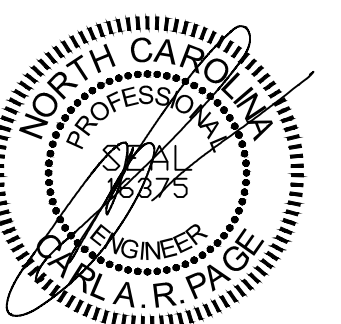


4 TYPICAL FREEZER WIRING
E5.01 NOT TO SCALE



5 TYPICAL CASE CONTROL WIRING
E5.01 NOT TO SCALE

PROFESSIONAL'S SEAL:



08/29/2022

CORPORATE SEAL:

REVISIONS
NO. DATE REMARKS

PROJECT NO: 1657/FLMK22
DATE: 08/29/2022

36 OF 40

E5.01

ELECTRICAL DETAILS

CHECKED: DOD DRAWN: DBD