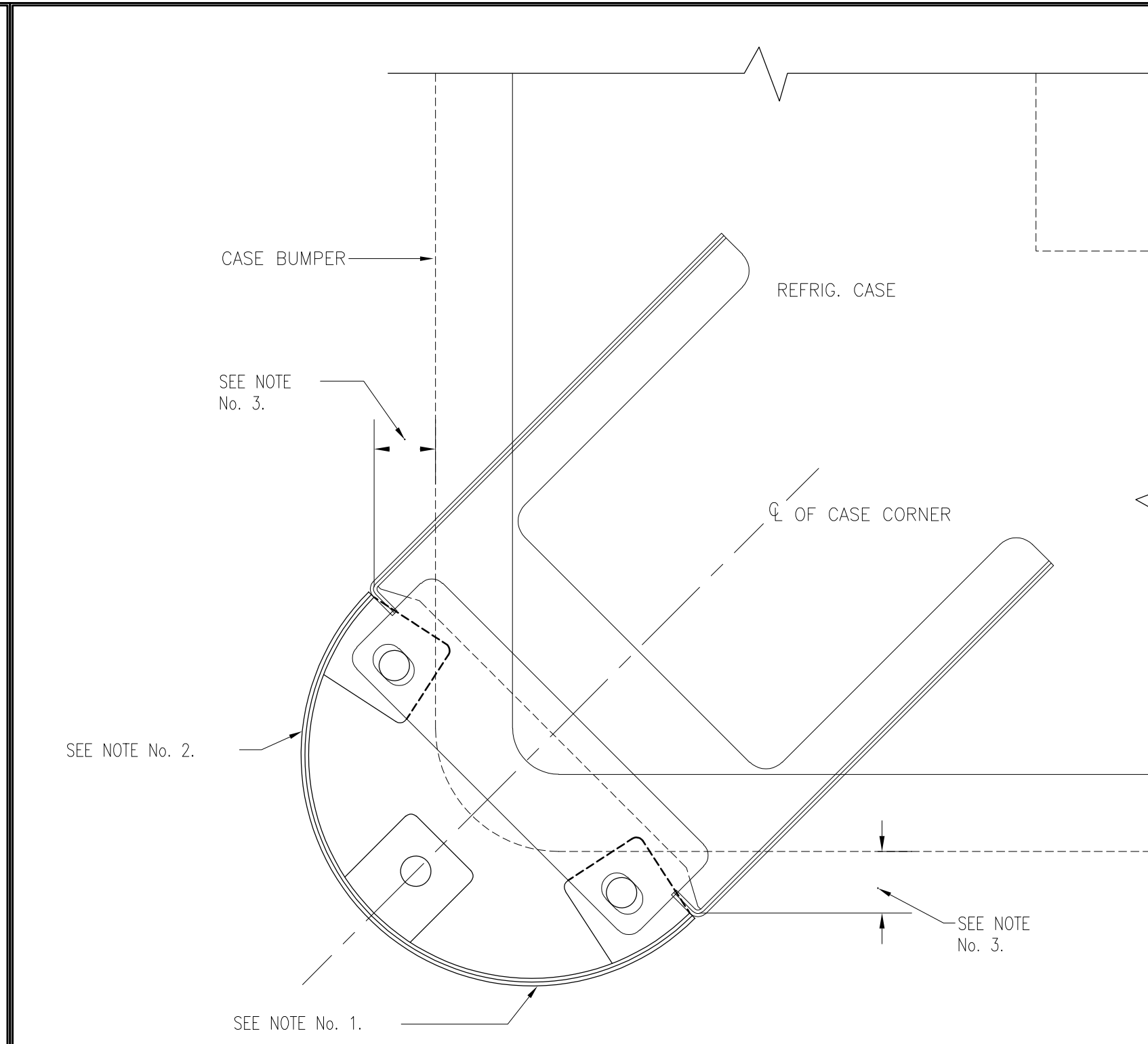


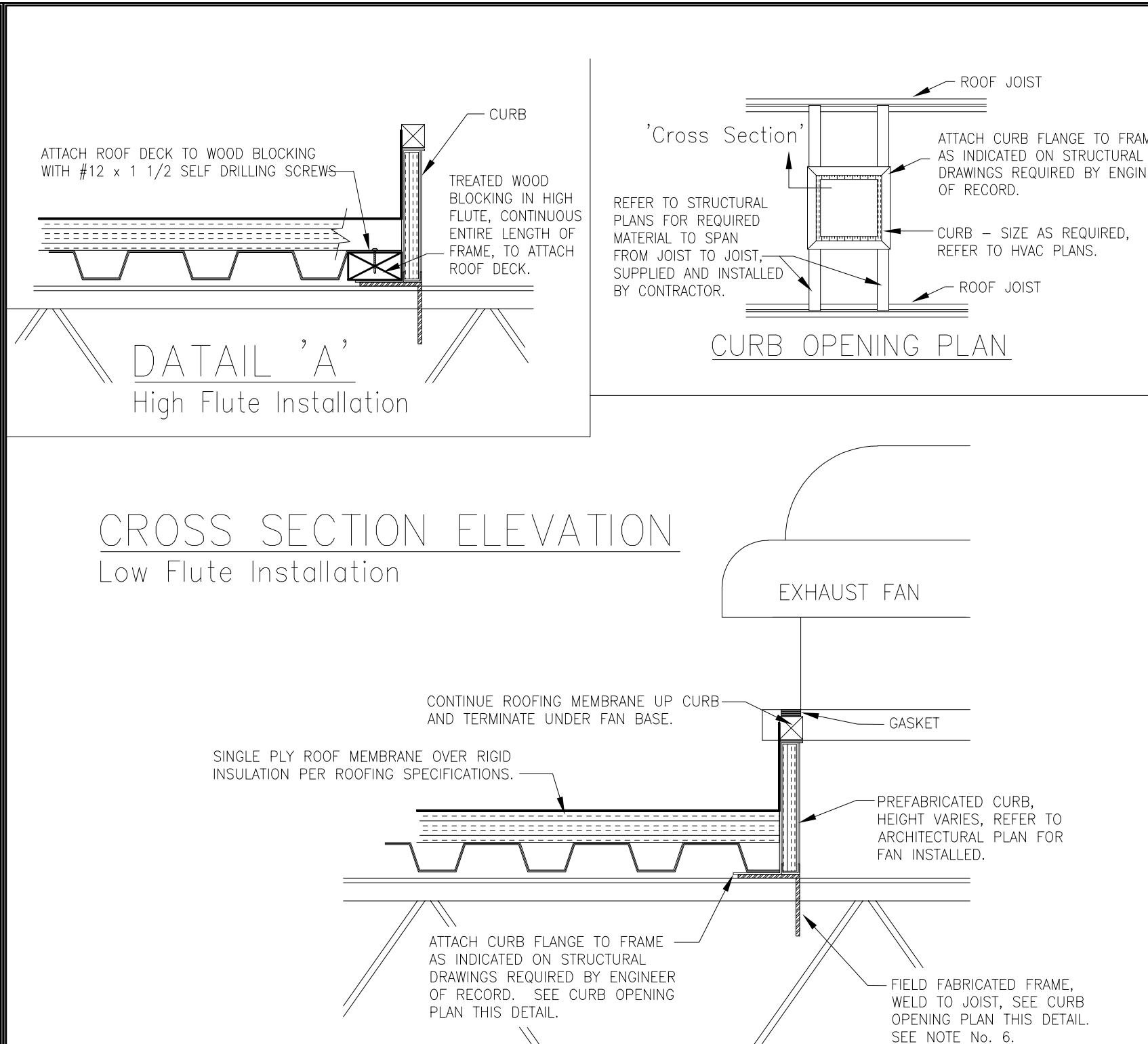
- NOTES:**
1. PROVIDE WATERPROOFING MEMBRANE OF POLYETHYLENE MATERIAL ON ALL INSIDE WALLS OF RESTROOMS, TO REDUCE WATER LEAKAGE FROM RESTROOM TO ADJACENT AREAS. SEE KROGER SPECIFICATIONS SECTION 09 30 00 THIN-SET TILING.
 2. ONCE MEMBRANE HAS BEEN COMPLETELY BONDED -- SEAMS, CORNERS & CONNECTIONS -- THE FLOOR & WALL TILES MAY BE APPLIED.
 3. OVERLAP WATERPROOFING MEMBRANE BEYOND PRE-FORMED CORNER, ADHERE TO WALL AND FLOOR SURFACES PER MANUFACTURER'S RECOMMENDATIONS.

WATERPROOFING MEMBRANE FOR RESTROOMS	DATE: 5/18/18 SCALE: NONE DRAWN: ZAW
MASTER SPECIFICATION DETAIL	ASD-164



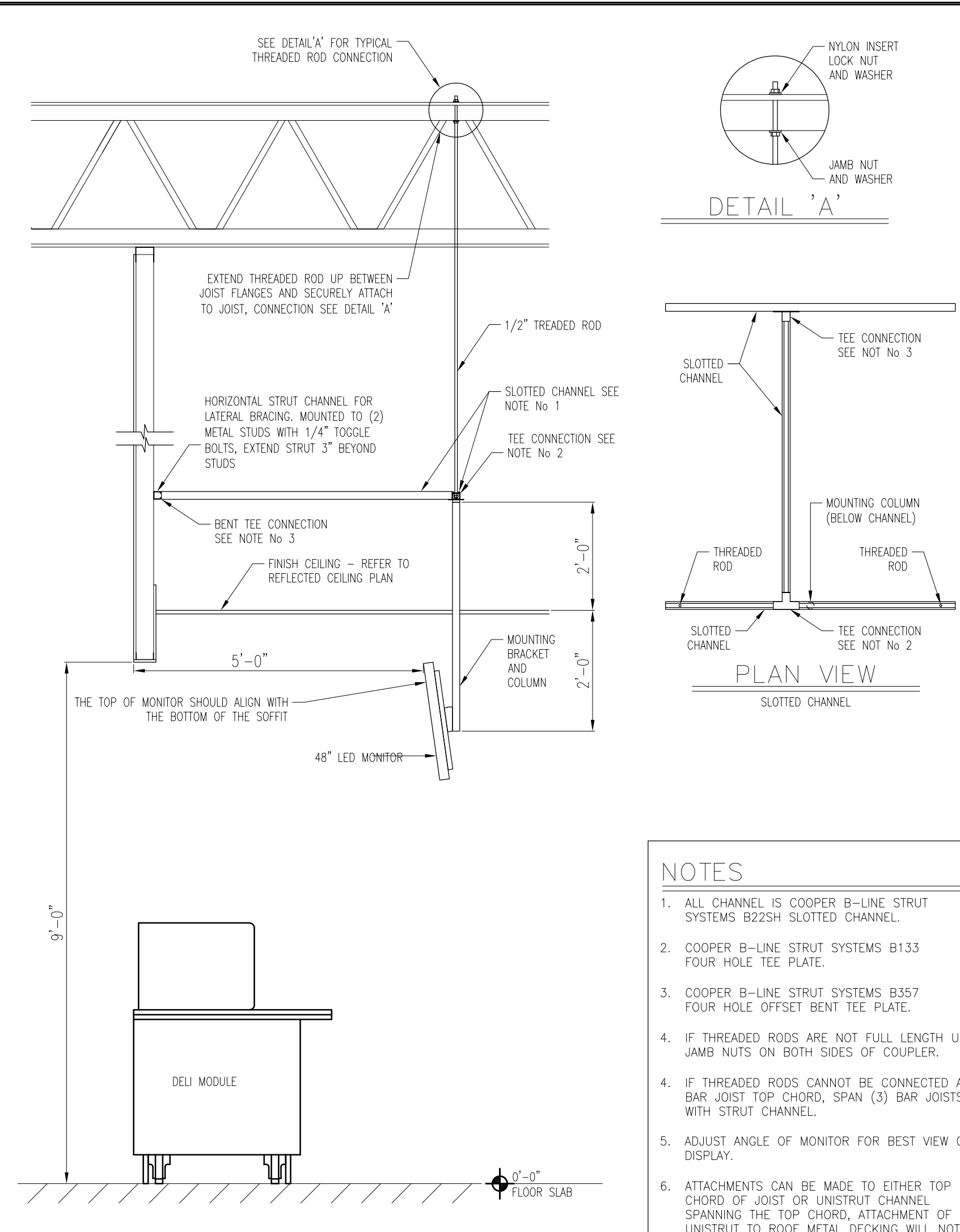
- NOTES:**
1. DESIGNED FOR USE WITH ISLAND REFRIGERATED CASES (WITH STRAIGHT FRONTS) IN DAIRY, MEAT, SEAFOOD AND DELI DEPARTMENTS. CASE CORNER GUARD. REFER TO SECTION 11 41 13 PARAGRAPH 2.2 B GENERAL STORE FIXTURE INSTALLATION IN SPECIFICATIONS. REFER TO FIXTURE PLAN FOR QUANTITY AND LOCATIONS.
 2. CASE CORNER GUARD TO BE INSTALLED, AFTER CASE HAS BEEN SET. INSTALL CASE GUARD (AND FLANGE EXTENSION) AS CLOSE TO CASE AS POSSIBLE PER MANUFACTURER'S INSTALLATION INSTRUCTIONS.
 3. MAXIMUM 1" PER MANUFACTURER'S INSTALLATION INSTRUCTIONS.
 4. FOR CASES WITH SHALLOW 'DEE KICK' IT MAY BE NECESSARY TO FIELD CUT FLANGE FOR PROPER POSITIONING OF GUARD.

REFRIGERATED CASE CORNER GUARD	DATE: 6/5/15 SCALE: NONE DRAWN: ZAW
MASTER SPECIFICATION DETAIL	ASD-160

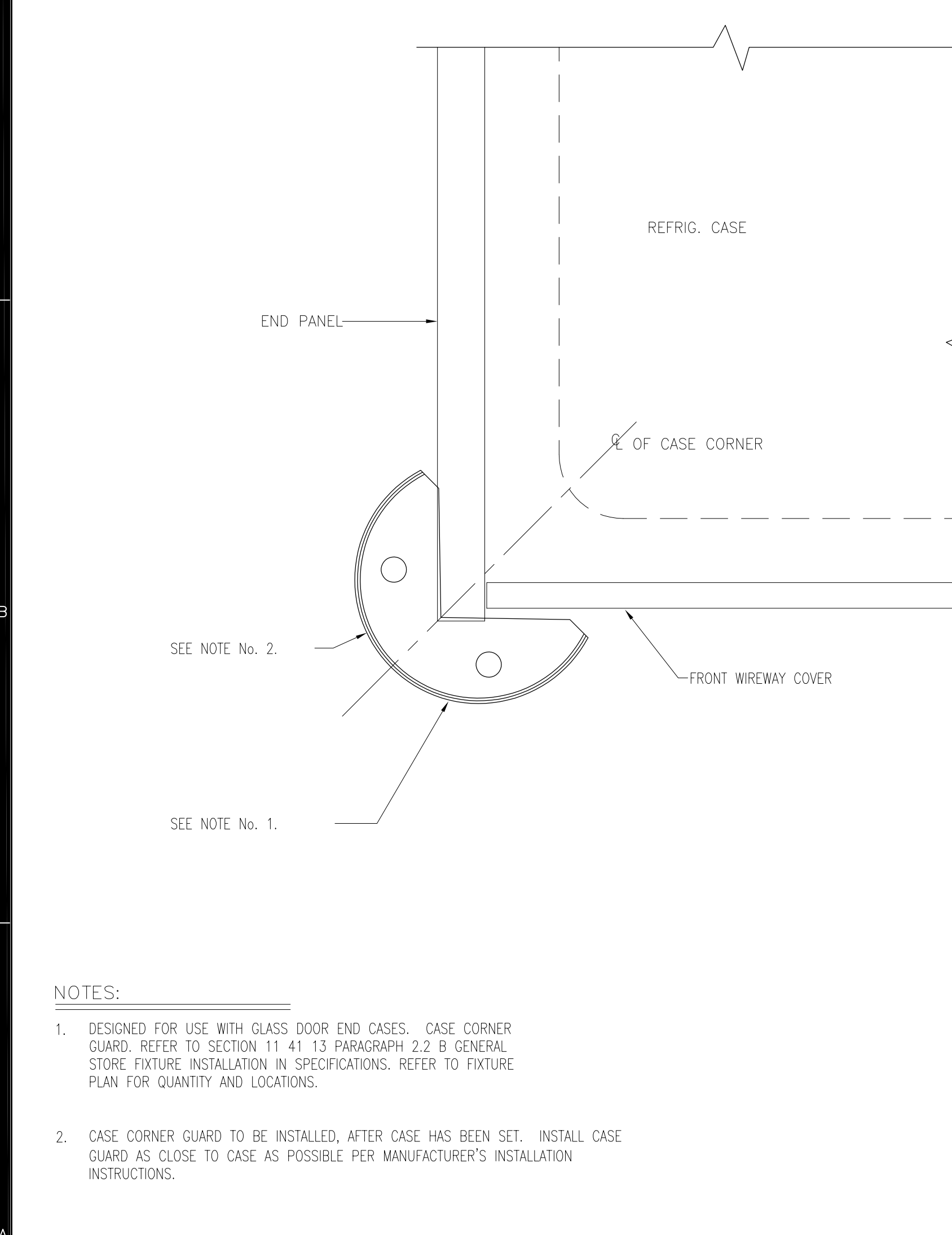


- Note:**
This Detail is for Single Ply Membrane Roof System, See Note No. 1.
- NOTES:**
1. REFERENCE ROOFING DETAILS ASD-64C, ASD-65C & ASD-66C FOR ROOF FLASHING.
 2. TWO SIDE OF CURB SHALL BE SUPPORTED BY FRAME, NO ADDITIONAL STEEL SUPPORT REQUIRED.
 3. SEE KROGER STANDARD SPECIFICATIONS FOR ADDITIONAL INFORMATION.
 4. FOR SEISMIC OR OTHER STRUCTURAL CONCERNS PROVIDE AND INSTALL ADDITIONAL STEEL STRUCTURE REINFORCEMENT AS INDICATED ON STRUCTURAL DRAWINGS BY ENGINEER OF RECORD.
 5. ATTACH CURB TO STRUCTURAL STEEL AS INDICATED ON STRUCTURAL DRAWINGS BY ENGINEER OF RECORD.
 6. NEW STORE CONSTRUCTION TO REMAIN UNPAINTED, PAINT TO MATCH EXISTING FOR EXPANSION REMODELS.

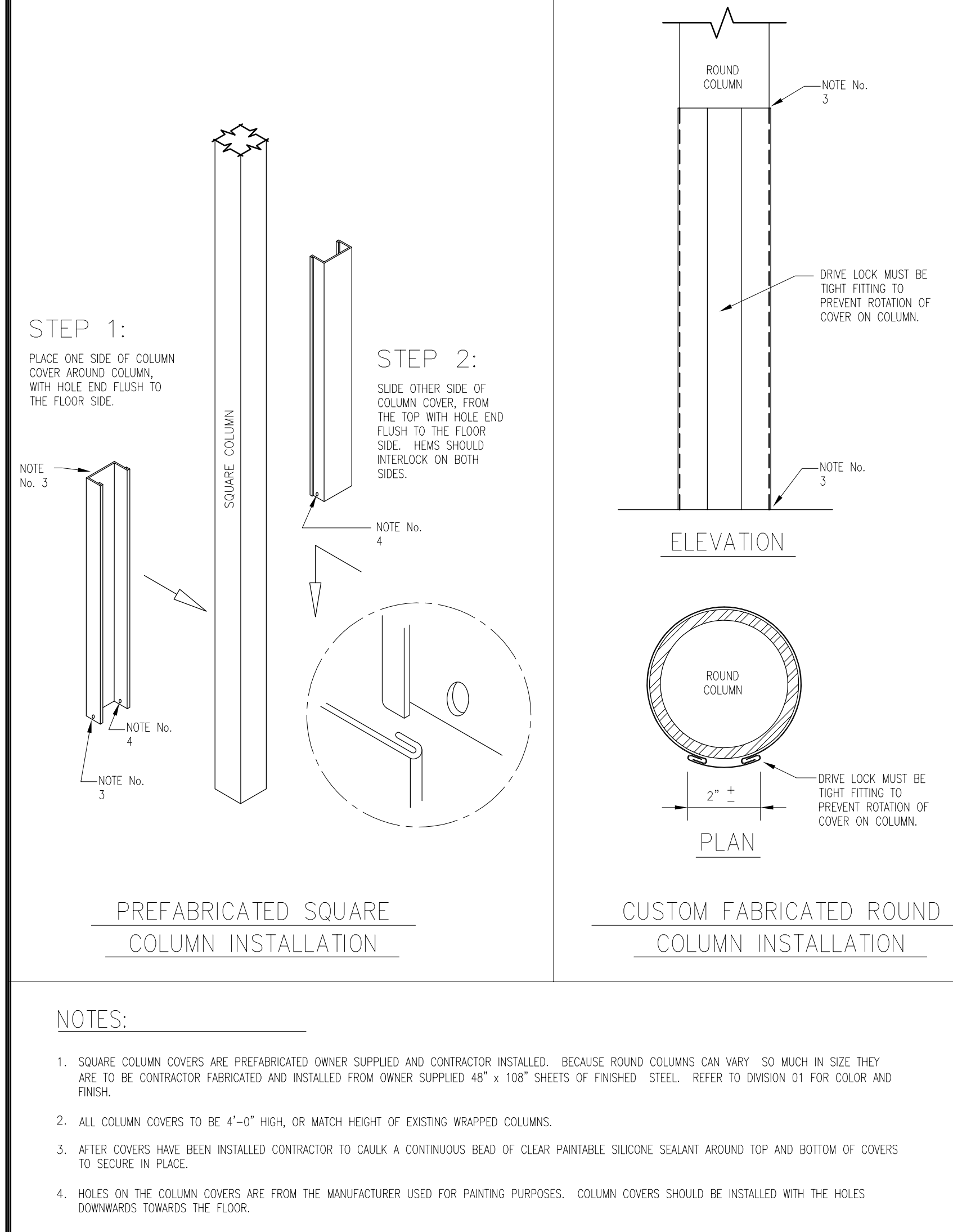
PREFABRICATED FAN CURB	DATE: 01/30/20 SCALE: NONE DRAWN: SIL
MASTER SPECIFICATION DETAIL	ASD-88



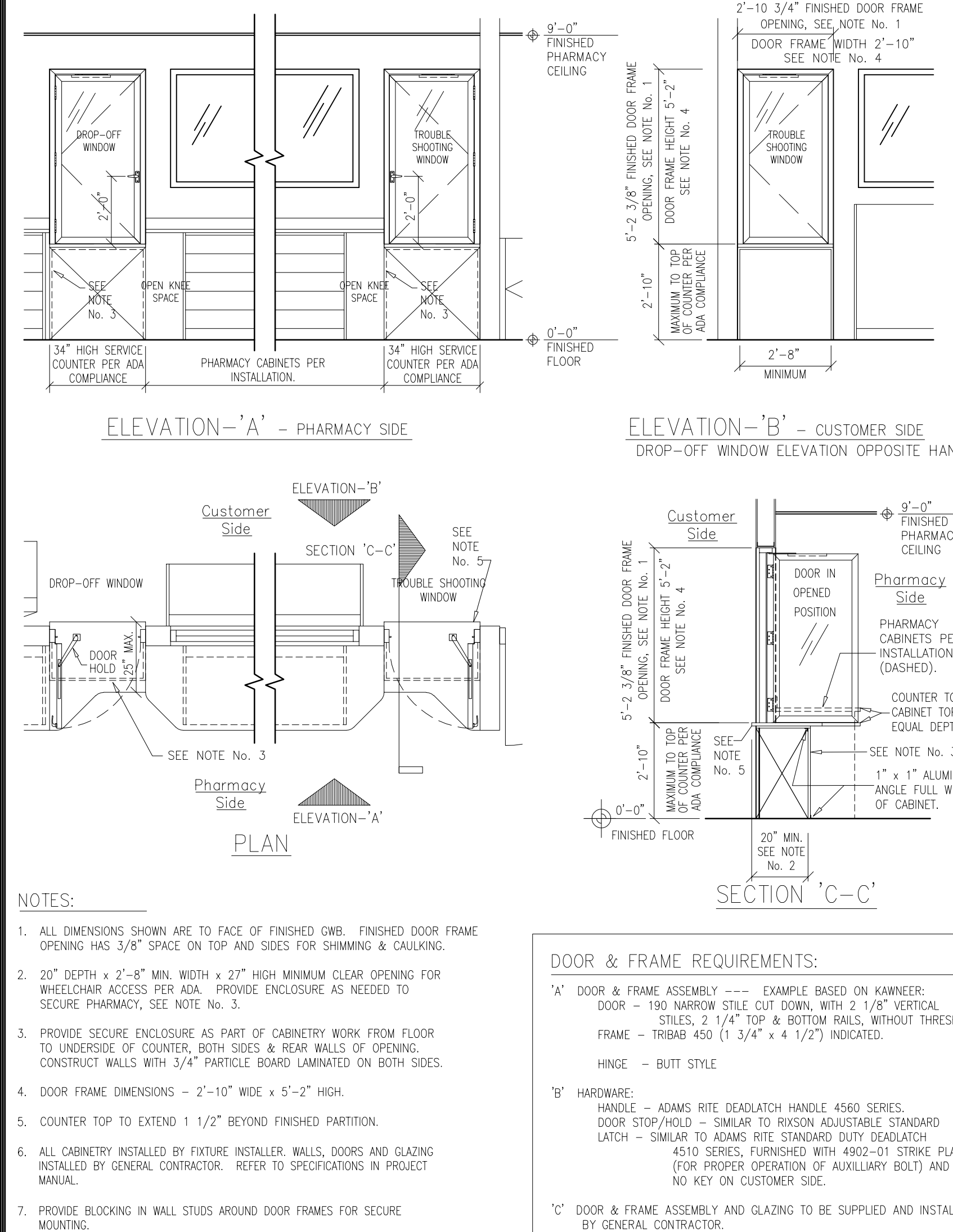
DELI MONITOR MOUNTING	DATE: 9/6/16 SCALE: NONE DRAWN: TMW
MASTER SPECIFICATION DETAIL	ASD-72



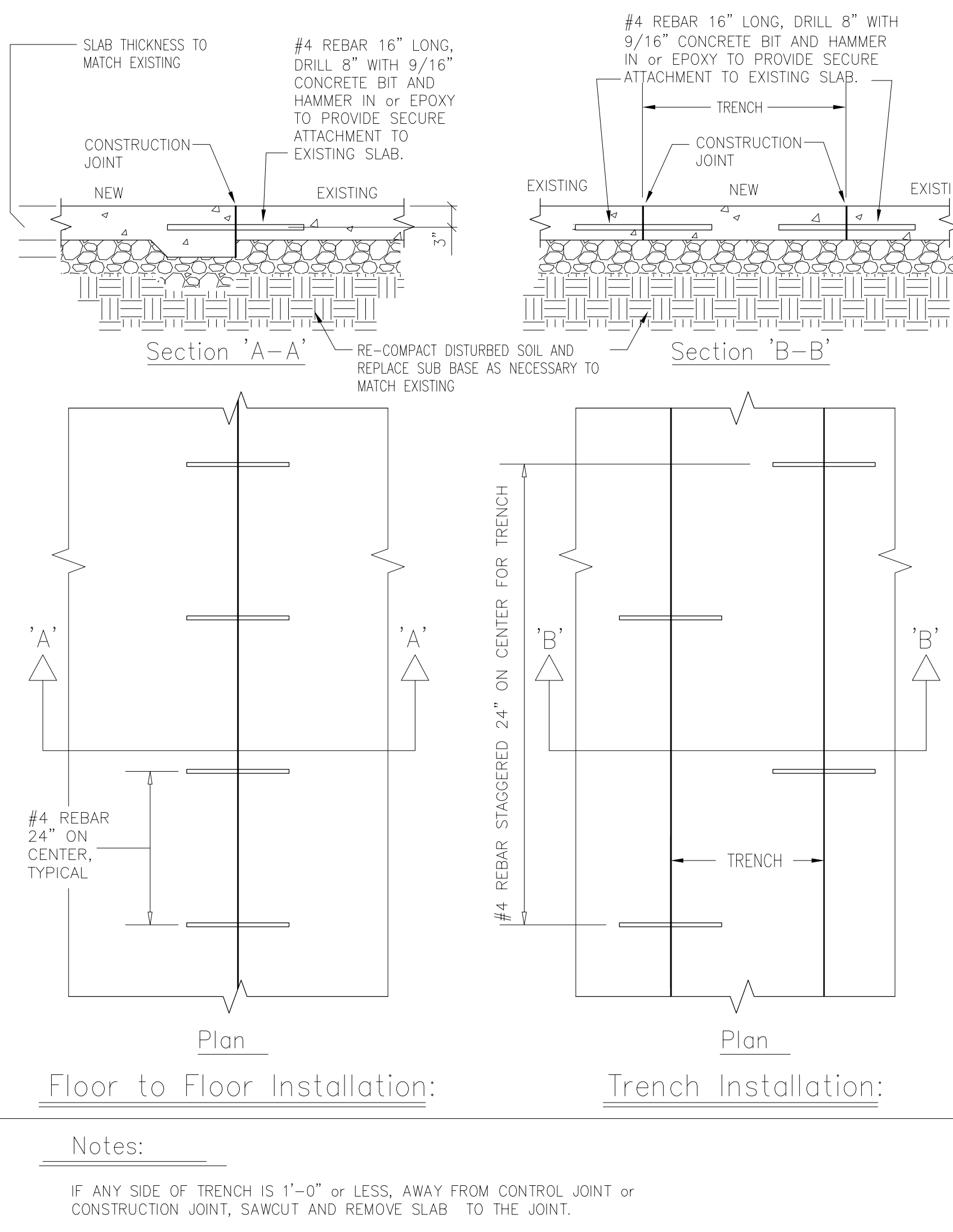
GLASS DOOR END CASE CORNER GUARD	DATE: 6/5/15 SCALE: NONE DRAWN: ZAW
MASTER SPECIFICATION DETAIL	ASD-160A



PREFABRICATED COLUMN COVERS	DATE: 11/15/17 SCALE: NONE DRAWN: ZAW
MASTER SPECIFICATION DETAIL	ASD-157



PHARMACY COUNTER DROP-OFF WINDOW	DATE: 7/11/16 SCALE: NONE DRAWN: ZAW
MASTER SPECIFICATION DETAIL	ASD-74



CONCRETE FLOOR REPLACEMENT AT EXISTING SLAB	DATE: 11/10/11 SCALE: NONE DRAWN: ZAW
MASTER SPECIFICATION DETAIL	ASD-69

CAPSTONE project services, plc
2211 WIDMAN WAY, SUITE 220
FORT MYERS, FL. 33901

COMMONWEALTH OF VIRGINIA
JOHN MARK HUGHES
Lic. No. 0401 014166
ARCHITECT
1-29-2021

CAPSTONE PROJECT SERVICES, PLC
ARCHITECTURAL & CONSTRUCTION SERVICES
OFFICE LOCATIONS: ROANOKE, VA & FT. MYERS, FL.

A REMODEL FOR:

KROGER R-239
1904 EMMET STREET CHARLOTTEVILLE, VA

PROJECT: 1-28-2021
DATE: CONSTRUCTION SET

KROGER STANDARD DETAILS

SHEET TITLE: _____

REVISIONS	DATE	DESCRIPTION

PROJECT NO: CPS2020-013.4
CAD DWG FILE: CPS2020-013-A5.0
DRAWN BY: JMH
CHK'D BY: JMH/LEN

A5.2