

A REMODEL FOR: KROGER R-334 1980 RIO HILL CENTER CHARLOTTEVILLE, VA

4-5-2021 DATE CONSTRUCTION SET

SINGLE LINE ELECTRICAL DIAGRAM

Table with columns: SHEET TITLE, REVISIONS, DATE, DESCRIPTION, DATE, DESCRIPTION

PROJECT NO: 20516 CAD DWG FILE: R-334 E6.2 DRAWN BY: WSM CHK'D BY: HCK

ELECTRICAL KEY NOTES

Table with 4 columns: TAG, QTY, NAME, STATUS/ELECTRICAL REQUIREMENTS

CONTACTOR SCHEDULE (KROGER PROVIDED)

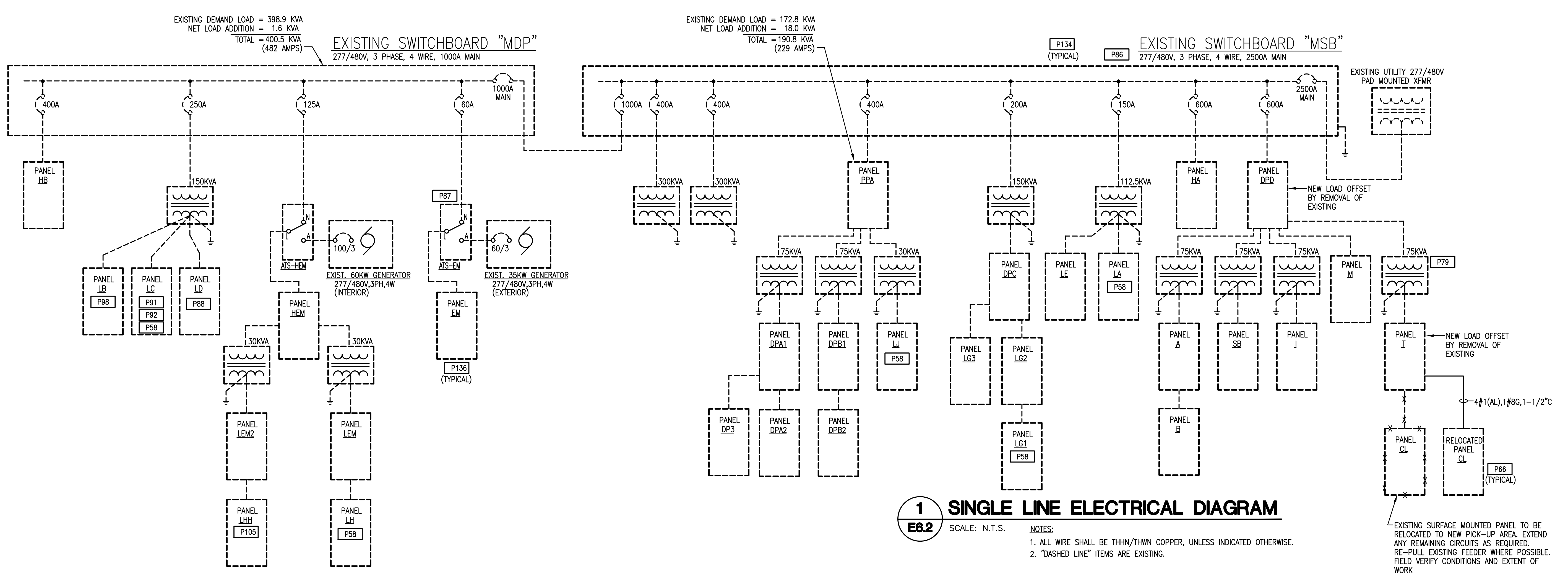
Table with 4 columns: TAG, COIL, AMPERAGE, POLES, LOAD

LOAD BREAKDOWN

Table showing connected load, existing demand load, added receptacles, added kitchen equip., and added misc. equip.

SPECIAL REPAIR NOTES

- List of special repair notes including ATS-EM main feeder termination, panel LC - HOT / BURNED NEUTRAL, panel LC - RELAY WITH BURNED TERMINATION, panel out of balance, double terminations, circuit tripped, undersized conductors, MDP - MAIN BREAKER, egress lighting, arc flash hazard labeling, and phenolic labeling.



SPECIAL REPAIR NOTES

[PIX] SEE SPECIAL REPAIR NOTE LIST ON SHEET E6.2. REFER TO CRESCENT CONSTRUCTION SERVICES, LLC ELECTRICAL SURVEY REPORT FOR ADDITIONAL INFORMATION.

1 SINGLE LINE ELECTRICAL DIAGRAM SCALE: N.T.S. NOTES: 1. ALL WIRE SHALL BE THIN/THIN COPPER, UNLESS INDICATED OTHERWISE. 2. "DASHED LINE" ITEMS ARE EXISTING.