

11-29-2021

HUBERT C. KENNEDY, JR., P.E.
ELECTRICAL ENGINEER
F.O.B. 37201
11000 W. UNIVERSITY BLVD.
SUITE 100
FORT MYERS, FL 33907
www.hubertkennedy.com

ELECTRICAL KEY NOTES

TAG	QTY	NAME	STATUS/ELECTRICAL REQUIREMENTS
1	D115	RELO	110V 1PH 10AMP CKT FOR WRAPPER (TABLE TOP). MOUNT RCPT. 4'-0" AB. FL. (NEMAS-15P)
2	GE102	RELO	115V 4.7A 2'-6" AB FL FOR PC & MONITOR
3	Q278SC	RELO	884W FOR 2 DOOR SERVO. FEET FOOD MERCA. (SELF CONT.)
4	1Y4SC	RELO	889W FOR 4' TABLE W/REF. BASE (SELF CONT.)
5	1TMP-363SC	RELO	120V, 15AMP, 1PH CIRCUIT FOR 2' REFRIG LOW PROFILE CASE (SELF-CONT) (N TEST)
6	B100	RELO	115V 2.4A FOR AIR BRUSH W/COMPRESSOR. MOUNT RCPT 4'-0" AB. FL.
7	B113-L1M	NEW	120V, 180W, 1PH FOR LED LIGHTS ON MID-HEIGHT ARTISAN BREAD DISPLAY
8	B154-L1M	NEW	120V, 180W, 1PH FOR LED LIGHTS ON MID-HEIGHT BAGUETTE DISPLAY
9	B155-L1M	NEW	120V, 180W, 1PH FOR LED LIGHTS ON MID-HEIGHT DONUT DISPLAY
10	B156-L1M	NEW	120V, 180W, 1PH FOR LED LIGHTS ON MID-HEIGHT BAGEL/PRETZEL DISPLAY
11	B44T	NEW	120V 1PH 75AMPS FOR SERVICE SCALE/U/PC PRINTER (TOLEDO). PROVIDE A 3/4" CONDUIT TO ECR RM. MOUNT RCPT 4'-0" AB. FL.
12	B55C	NEW	120V, 840W, 1PH FOR VARIETY BREAD SLICER
13	BML5HP	NEW	72W FOR FANS, 117W FOR LIGHTS ON 5' MDLP BAKERY CASE
14	BMLRHC-2	NEW	120V, 32W, FOR FANS, 19W, FOR CANOPY LED LIGHTS, FOR 6' MULTI-DK LOW PROFILE 5 DOLLAR CASE CASE (REMOTE)
15	BV5D12HX	RELO	75W FOR FANS, 255W FOR LIGHTS ON 12' V.S. BEV. CASE. MOUNT J.B. 1'-6" AB FL.
16	BV5D8HX	RELO	50W FOR FANS, 177W FOR LIGHTS ON 8' V.S. BEV. CASE. MOUNT J.B. 1'-6" AB FL.
17	BV5D12HC	NEW	120V, 132W FOR FANS, 85W FOR LIGHTS ON 12FT GLASS DOOR BEVERAGE CASE. MOUNT J.B. 1'-6" AB FL.
18	1CHMH	NEW	120V, 56 AMPS, 1PH FOR FANS & LED LIGHTS FOR IM-04-E4-FR HYBRID MURRAY'S OLIVE BAR INLINE (REMOTE) CASE
19	4DAGD12HE	NEW	120V, 132W FOR FANS, 85W FOR LIGHTS ON 12FT GLASS DOOR DAIRY CASE. MOUNT J.B. 1'-6" AB FL.
20	DAMDL12HC-2	RELO	ELECTRICAL DATA IS PER SIDE. 108W FOR FANS, 384W FOR LIGHTS ON 12' MDLP DAIRY ISLAND CASE (UNTESTED)
21	4DAMDLHC-2	RELO	18W FOR FANS, 116W FOR LIGHTS ON MDLP DAIRY ISLAND END CASE
22	1D115E	RELO	2000W (NON-CONTINUOUS) DEDICATED 20A CIRCUIT FOR ENERGY EFFICIENT WRAPPER (TABLE TOP). MOUNT RCPT. 4'-0" AB. FL.
23	1D195-3	NEW	208V, 13.8AMP, 1PH FOR PASS THRU HOT HOLDING CABINET
24	Q23T	NEW	120V 1PH 75AMPS FOR SERVICE SCALE/U/PC PRINTER (TOLEDO). PROVIDE A 3/4" COND. TO ECR ROOM
25	5D23T	NEW	120V 1PH 75AMPS FOR SERVICE SCALE/U/PC PRINTER (TOLEDO). PROVIDE A 3/4" COND. TO ECR ROOM
26	1D25	RELO	312W 4'-0" AB FL FOR AUTOMATIC SLICER
27	1D26	RELO	824W 4'-0" AB FL FOR MANUAL SLICER
28	1D77B	NEW	120V, 1550W, 1PH FOR RICE COOKER
29	1D77B	RELO	120V, 1550W, 1PH FOR RICE COOKER
30	2TMP-3B1	NEW	120V, 15 AMP, 1PH CIRCUIT WITH QUAD RECEPTACLE FOR DIGITAL ORDER SCREEN & THERMAL PRINTER
31	1DMHF4M	NEW	120V 1PH 13.62 AMPS FOR 4' MOBILE HOT FOOD CASE SUPPLIED WITH CORD & NEMA 5-20P PLUG.
32	2D1DSC4HP	RELO	120V, 8.6AMP, 1PH CIRCUIT FOR 4'X4' (SELF-CONT) REF. MOBILE MERCHANDISER SUPPLIED WITH CORD & NEMA 5-15P PLUG.
33	1DCFN10H	NEW	120V, 16W FOR FANS, 88W FOR LED LIGHTS FOR 10' MDLP MEDIA TEMP CASE
34	1DMDLRHC	RELO	120V, 32W, FOR FANS, 41W FOR LED LIGHTS, FOR 6' FRESH SLICED MULTI DECK CASE (REMOTE)
35	2DMSC4SS-2	NEW	120V, 2808W, 1PH FOR 4' MOBILE DELI MEAL KITS CASE (SELF CONTAINED) SUPPLIED WITH CORD & NEMA LS-30P PLUG.
36	2DMSC4SS-2	NEW	240V, 3732W, 1PH FOR 6' MOBILE DELI MEAL KITS CASE (SELF CONTAINED) SUPPLIED WITH L14-30P NEMA PLUG & 10' CORD.
37	2DMSC4SS-2	NEW	120V, 2808W, 1PH FOR 4' MOBILE DELI CASE (SELF CONTAINED) SUPPLIED WITH CORD & NEMA LS-30P PLUG.
38	1DMSC6SS-2	NEW	240V, 3732W, 1PH FOR 6' MOBILE DELI CASE (SELF CONTAINED) SUPPLIED WITH L14-30P NEMA PLUG & 10' CORD.
39	1DPSSUSTBB-2	RELO	300W FOR FANS, 166W FOR LIGHTS, 51W FOR ANTI-SWEAT HEATERS FOR 8' SUSHI PREP/DISPLAY CASE W/ REF. REAR STORAGE
40	2ES12HE	RELO	30W FOR FANS, 130W FOR A/S HTS, 120W A/S HTS, 257W FOR LIGHTS
41	1E42-17	RELO	120V, 37W, 1PH FOR 19" LED COMPUTER MONITOR
42	1GE1H	NEW	115V 30W, 1PH, FOR PREP AREA FLY ZAPPER. (MOUNT @ 6'-0" AFF TO BOTTOM)
43	5GE3R	RELO	120V 800W FOR BATTERY CHARGER MOUNT OUTLET 2'-0" AB FL FOR HANDICAPPED NESTOUT
44	1G101	NEW	1500W FOR NOW SAMPLING AREA. PROVIDE OUTLET ON SEPARATE CIRCUIT AT BASE OF ADJACENT CASE, FIXTURE, OR COLUMN.
45	6GGN12HI	RELO	326W FOR FANS, 455W FOR A.S. HTS, 108W FOR LIGHTS, 3500W (208V 1PH) FOR ELEC DEF. (TO PANEL FOR DEF WIRING) ON 12' NARROW GLASS DOOR ICE CREAM TEMP GROCERY CASE
46	2GGN12PHI	RELO	130W FOR FANS, 182W FOR A.S. HTS, 43W FOR LIGHTS, 1400W (208V 1PH) FOR ELEC DEF. (TO PANEL FOR DEF WIRING) ON 6' NARROW GLASS DOOR ICE CREAM TEMP GROCERY CASE
47	4W1DSC4HP	NEW	120V, 8.6AMP, 1PH CIRCUIT FOR 4'X4' (SELF-CONT) REF. MOBILE MERCHANDISER SUPPLIED WITH CORD & NEMA 5-15P PLUG.
48	1MWDT12HX	NEW	352W FOR FANS & A.S. HTS, 26W FOR GLASS A.S. HTS., 4800W (208V 1PH) FOR ELEC DEF. (ROUTE CONDUIT TO MECH CENTER OR PROTOCOL UNIT FOR CONTROL CKT & DEFROST WIRING) ON 12' WIDE ISLAND DAIRY CASE W/ GLASS (MED TEMP)
49	2MWDTGEXH	NEW	88W FOR FANS & A.S. HTS, 16W FOR GLASS A.S. HTS., 1360W (208V 1PH) FOR ELEC DEF. (ROUTE CONDUIT TO MECH CENTER OR PROTOCOL UNIT FOR CONTROL CKT & DEFROST WIRING) ON ICE CREAM TEMP WIDE ISLAND GROCERY END CASE W/GLASS
50	1RFP	NEW	120V, 15A, 1PH CIRCUIT FOR SMALL FREEZER (BIOMEDICAL) REQUIRED TO BE ON EMERGENCY CIRCUIT.
51	1RBR	NEW	120V, 15A CIRCUIT FOR UNDERCOUNTER REFRIGERATOR (BIOMEDICAL) REQUIRED TO BE ON EMERGENCY CIRCUIT.
52	3TBR	RELO	*115V 268W FOR 8' REFRIG TABLE (REQ'D. LOCKED ON DEVICE @ PANEL)

CONTACTOR SCHEDULE (KROGER PROVIDED)

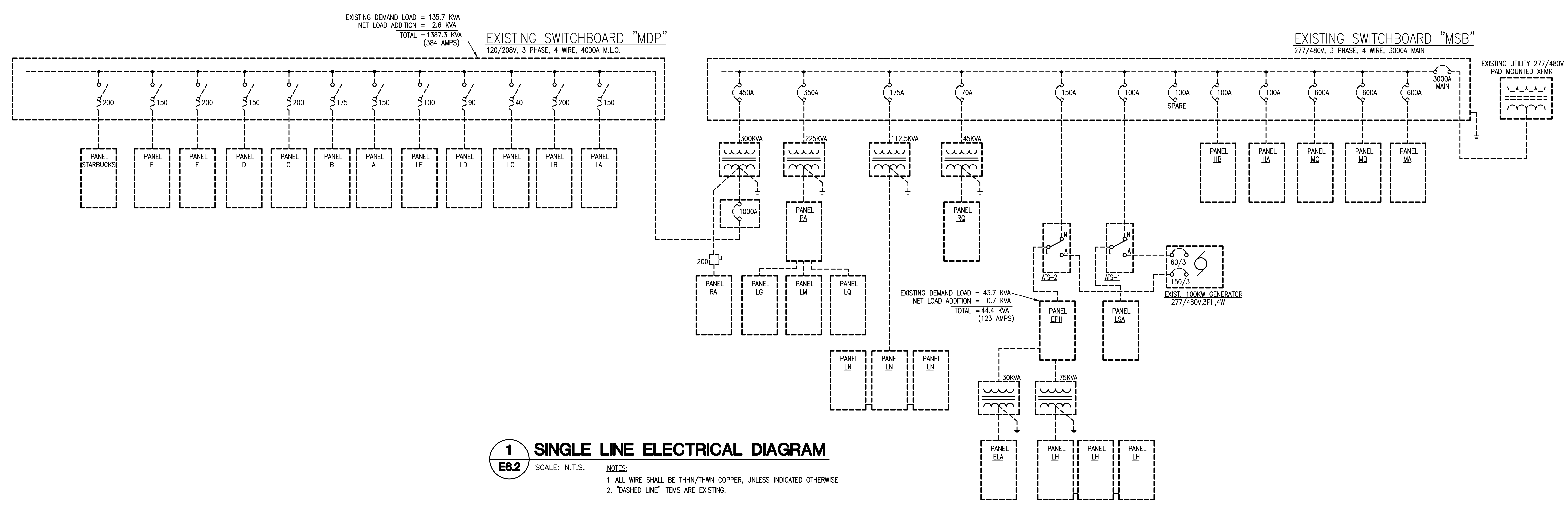
TAG	COLL	AMPERAGE	POLES	LOAD
CTBP	277	30	2	BAKERY PREP W/ MOMENTARY OVERRIDE
CTDP	277	30	2	DELI PREP W/ MOMENTARY OVERRIDE
CTRX	277	30	2	PHARMACY W/ MOMENTARY OVERRIDE
CTSF	277	30	2	SEAFOOD PREP W/ MOMENTARY OVERRIDE
CTAMB	277	30	4	WINE / KITCHEN PLACE AMBIENT LIGHTING

LOAD BREAKDOWN

SERVICE : 277/480V-3PH-4W,3000A

CONNECTED LOAD	CONNECTED KVA
EXISTING DEMAND LOAD: 736.9 KWD (PF)1.25	1,083.7
ADDED REFRIGERATION EQUIP. (100%)	28.5
ADDED MISC. EQUIP. (100%)	12.2
TOTALS:	1,124.4 KVA
	± -√3 480V = 1,353 AMPS

NOTE:
EXISTING DEMAND LOAD BASED ON MAXIMUM DEMAND OVER A ONE YEAR PERIOD (NEC 220.87).
0.85 POWER FACTOR BASED ON CONTRIBUTION OF TOTAL LOAD FROM REFRIGERATION AND HVAC COMPRESSOR MOTORS AND IS INTENDED TO INDICATE A "WORST CASE" DEMAND LOAD CALCULATION.



1 SINGLE LINE ELECTRICAL DIAGRAM
SCALE: N.T.S.

- NOTES:
1. ALL WIRE SHALL BE THHN/THWN COPPER, UNLESS INDICATED OTHERWISE.
2. "DASHED LINE" ITEMS ARE EXISTING.

PROJECT INFO
11-29-2021
DATE
CONSTRUCTION SET

SHEET TITLE
REVISIONS

DATE DESCRIPTION

PROJECT NO: 21441
CAD DWG FILE: R-327 E6.2
DRAWN BY: WSM
CHK'D BY: HCK

E6.2

SHEET NO.

A REMODEL FOR:
KROGER R-327
7805 TIMBERLAKE DRIVE
LYNCHBURG, VA