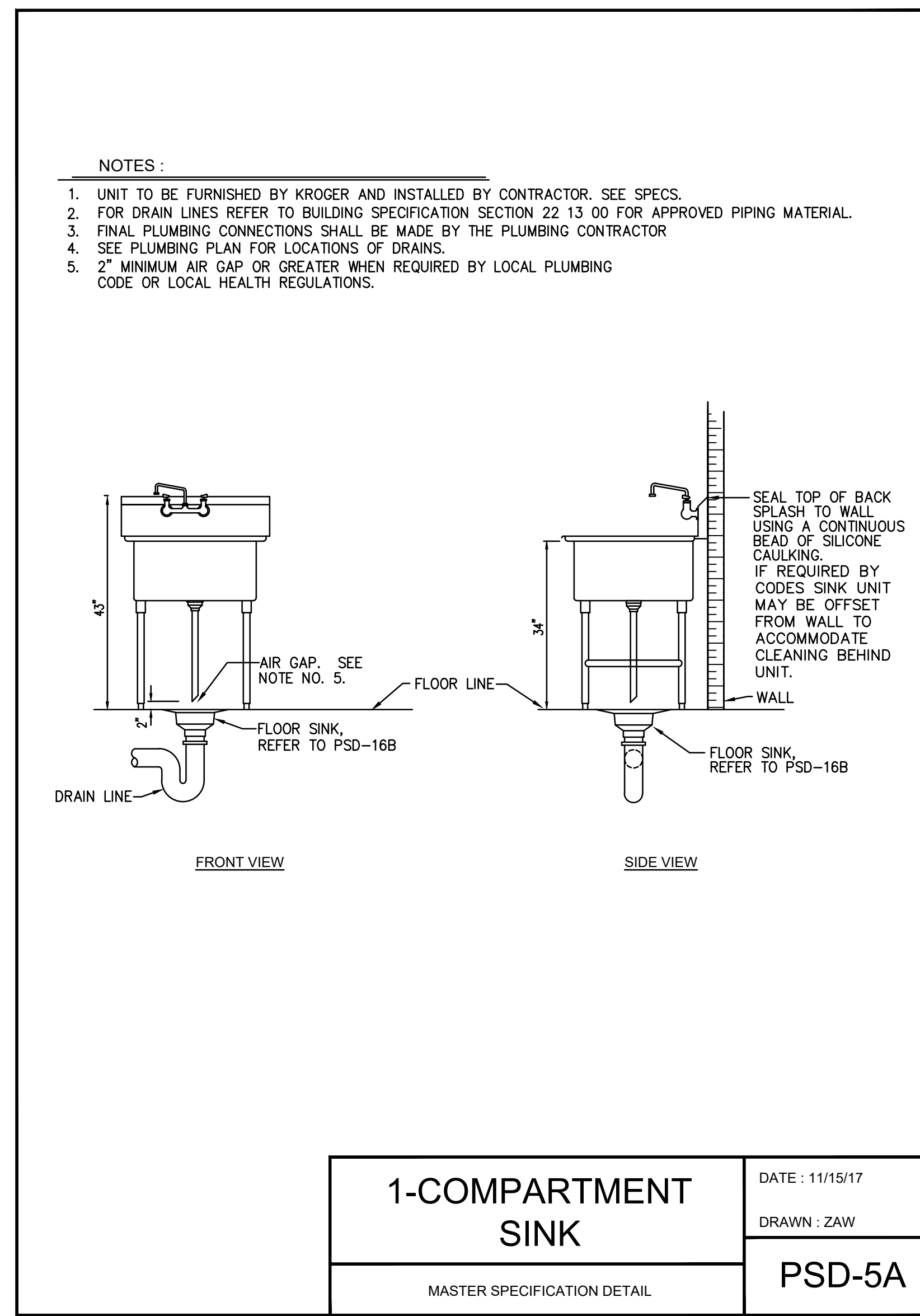
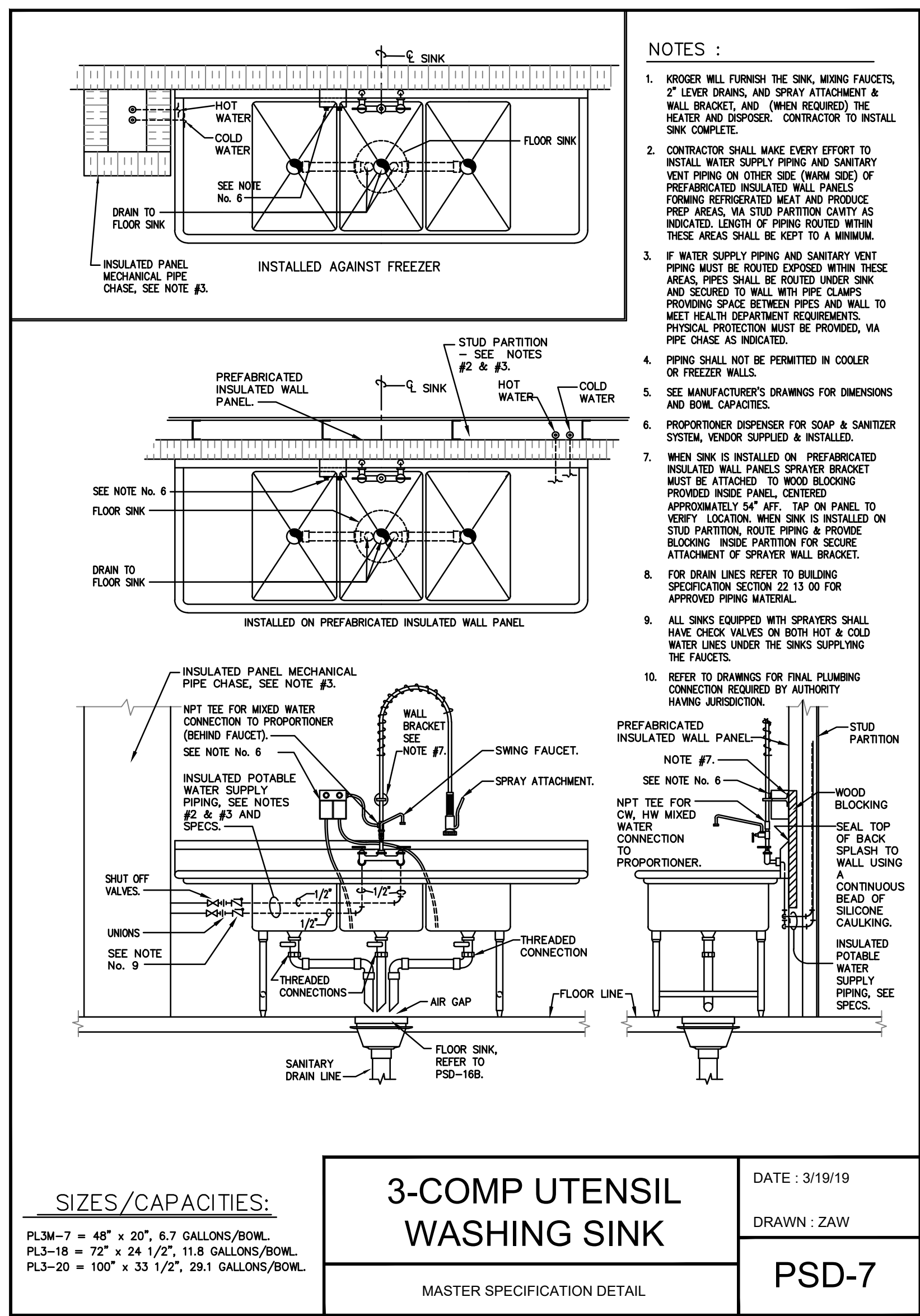


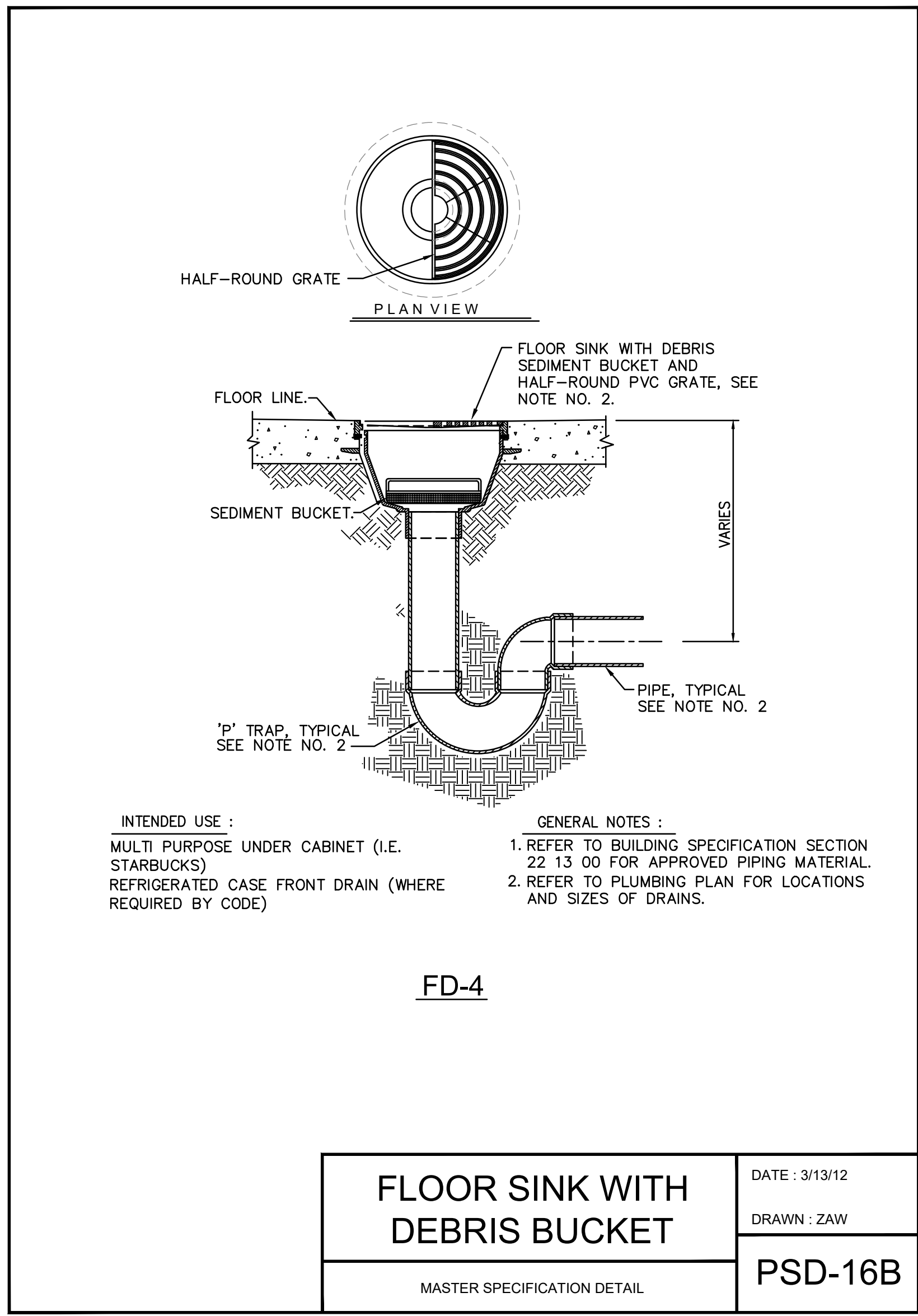
CONDENSATE DRAIN DETAIL
DATE: 11/15/17
DRAWN: ZAW
PSD-1
MASTER SPECIFICATION DETAIL



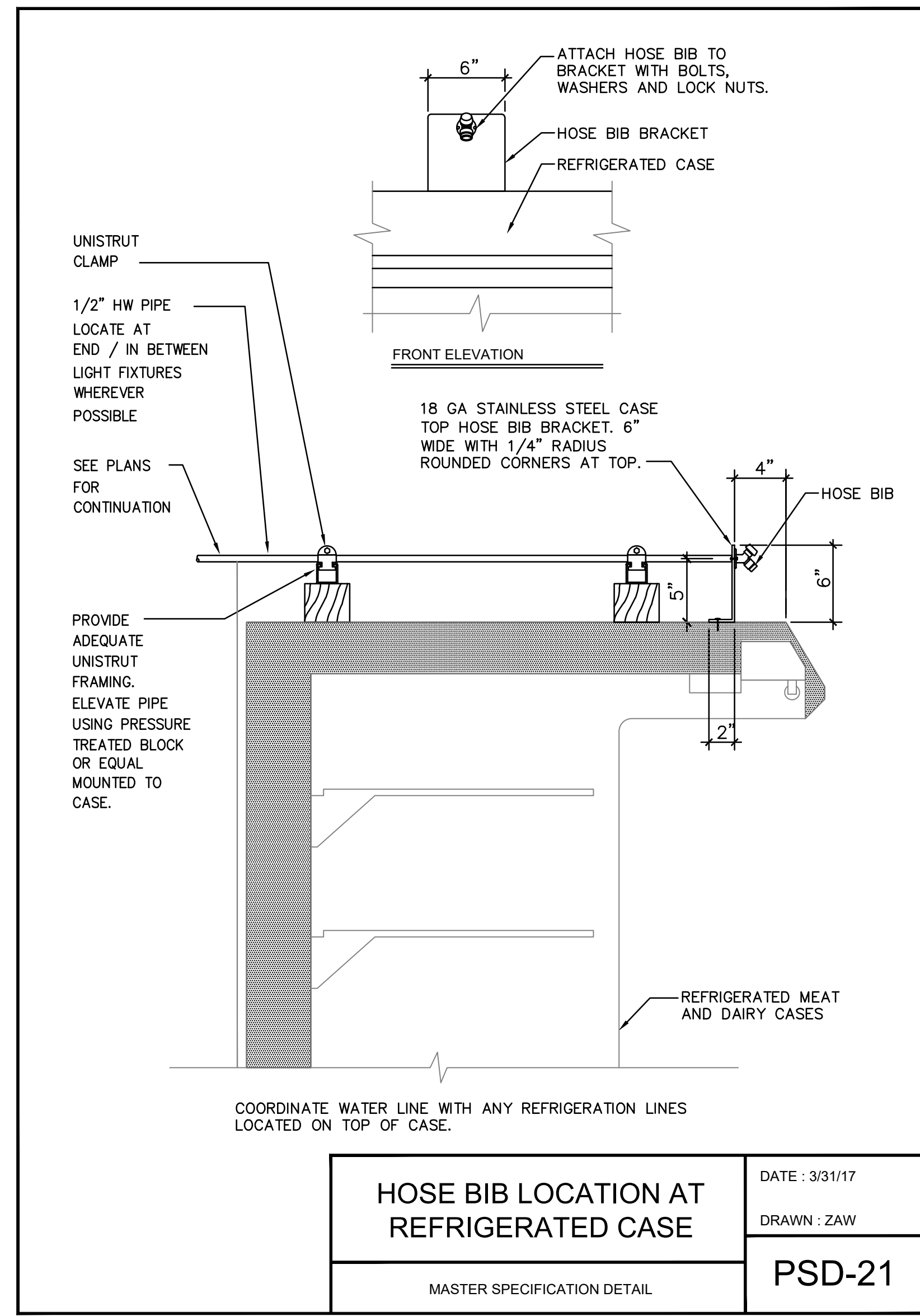
1-COMPARTMENT SINK
DATE: 11/15/17
DRAWN: ZAW
PSD-5A
MASTER SPECIFICATION DETAIL



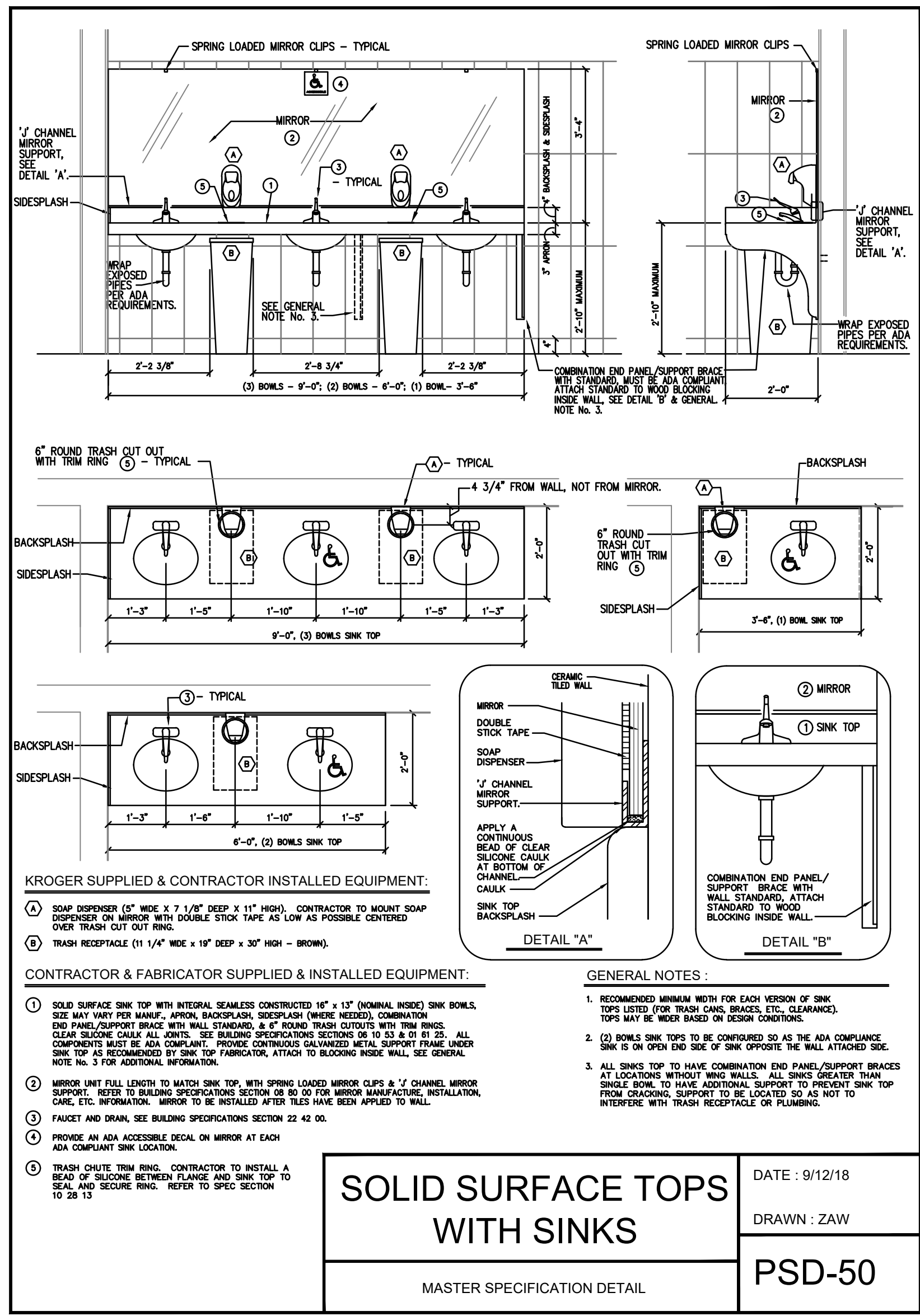
3-COMP UTENSIL WASHING SINK
DATE: 3/19/19
DRAWN: ZAW
PSD-7
MASTER SPECIFICATION DETAIL



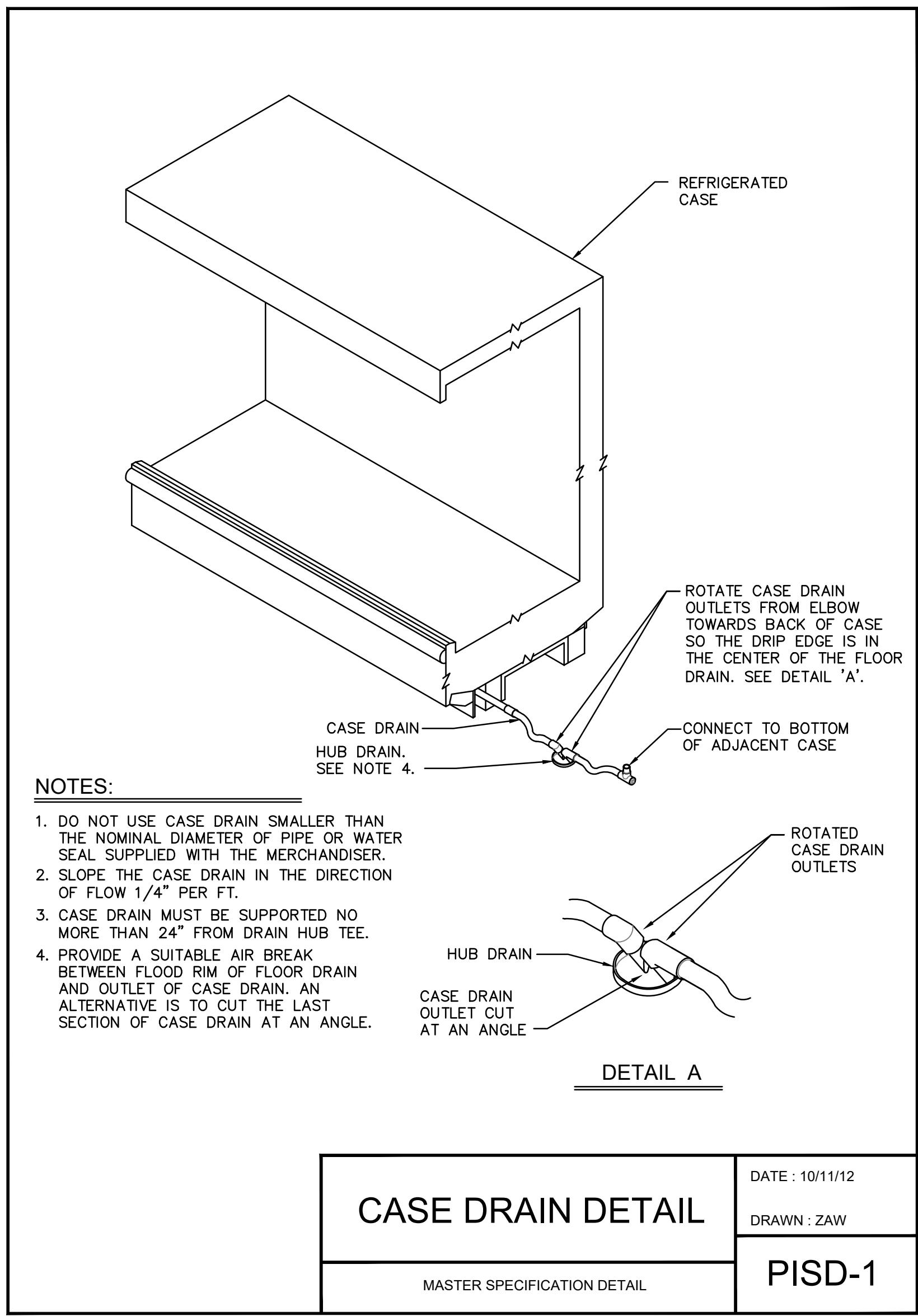
FLOOR SINK WITH DEBRIS BUCKET
DATE: 3/13/12
DRAWN: ZAW
PSD-16B
MASTER SPECIFICATION DETAIL



HOSE BIB LOCATION AT REFRIGERATED CASE
DATE: 3/31/17
DRAWN: ZAW
PSD-21
MASTER SPECIFICATION DETAIL



SOLID SURFACE TOPS WITH SINKS
DATE: 9/12/18
DRAWN: ZAW
PSD-50
MASTER SPECIFICATION DETAIL



CASE DRAIN DETAIL
DATE: 10/11/12
DRAWN: ZAW
PSD-1
MASTER SPECIFICATION DETAIL

CAPSTONE
project services, inc.
2211 WIDMAN WAY
SUITE 220
FORT MYERS, FL 33901
ARCHITECT

BRANDT ENGINEERING, INC.
1840 PHOTO REFINERY, SUITE 200
MIDDLETOWN, VA 23103
PHONE: (804)794-6656
FAX: (804)794-8588
EMAIL: ccs59@brandt.com
CHRIS S. FROCKER, PE
VA P.E. # 021813

CONSULTANT

A REMODEL FOR:

KROGER R-327
LYNCHBURG, VA
7805 TIMBERLAKE DRIVE

PROJECT INFO:
11-29-2021
DATE
CONSTRUCTION SET

PLUMBING
STANDARD
DETAILS (PSD)

REVISIONS

NO.	DATE	DESCRIPTION

MARK DATE DESCRIPTION

PROJECT NO: 21212
CAD DWG FILE: 21212-PS1.dwg
DRAWN BY: PC
CHK'D BY: DM/JP

P5.1

NOTE: THIS DOCUMENT MAY HAVE BEEN ELECTRONICALLY TRANSMITTED. IF UNSIGNED, IT CANNOT BE FILED FOR PUBLIC RECORD. PUBLIC RECORD FILINGS REQUIRE SIGNED AND SEALED DOCUMENTS.

11/29/2021 10:28:29 AM