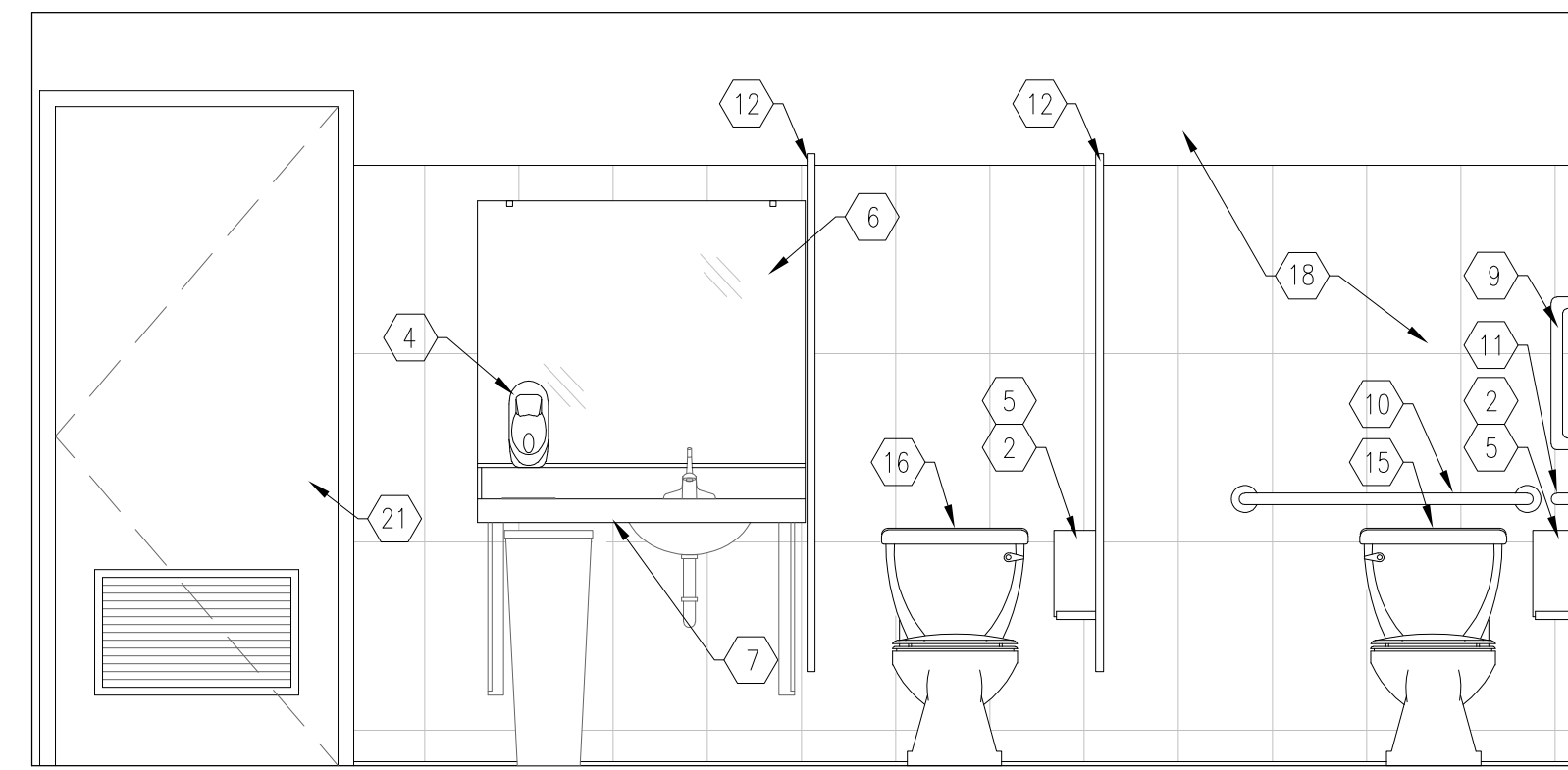
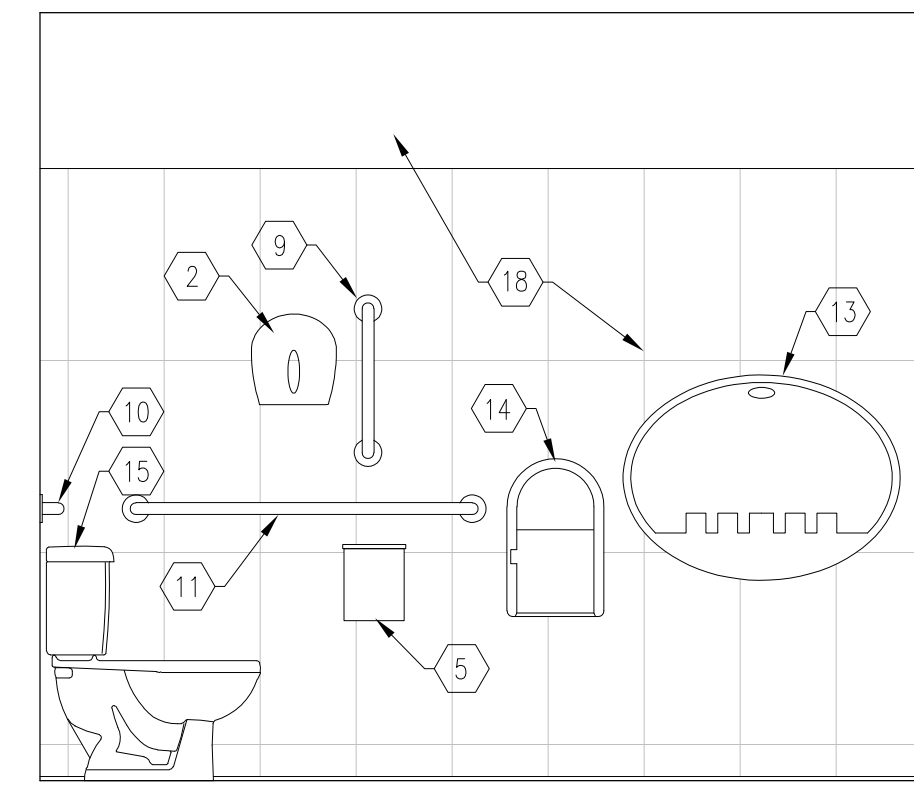


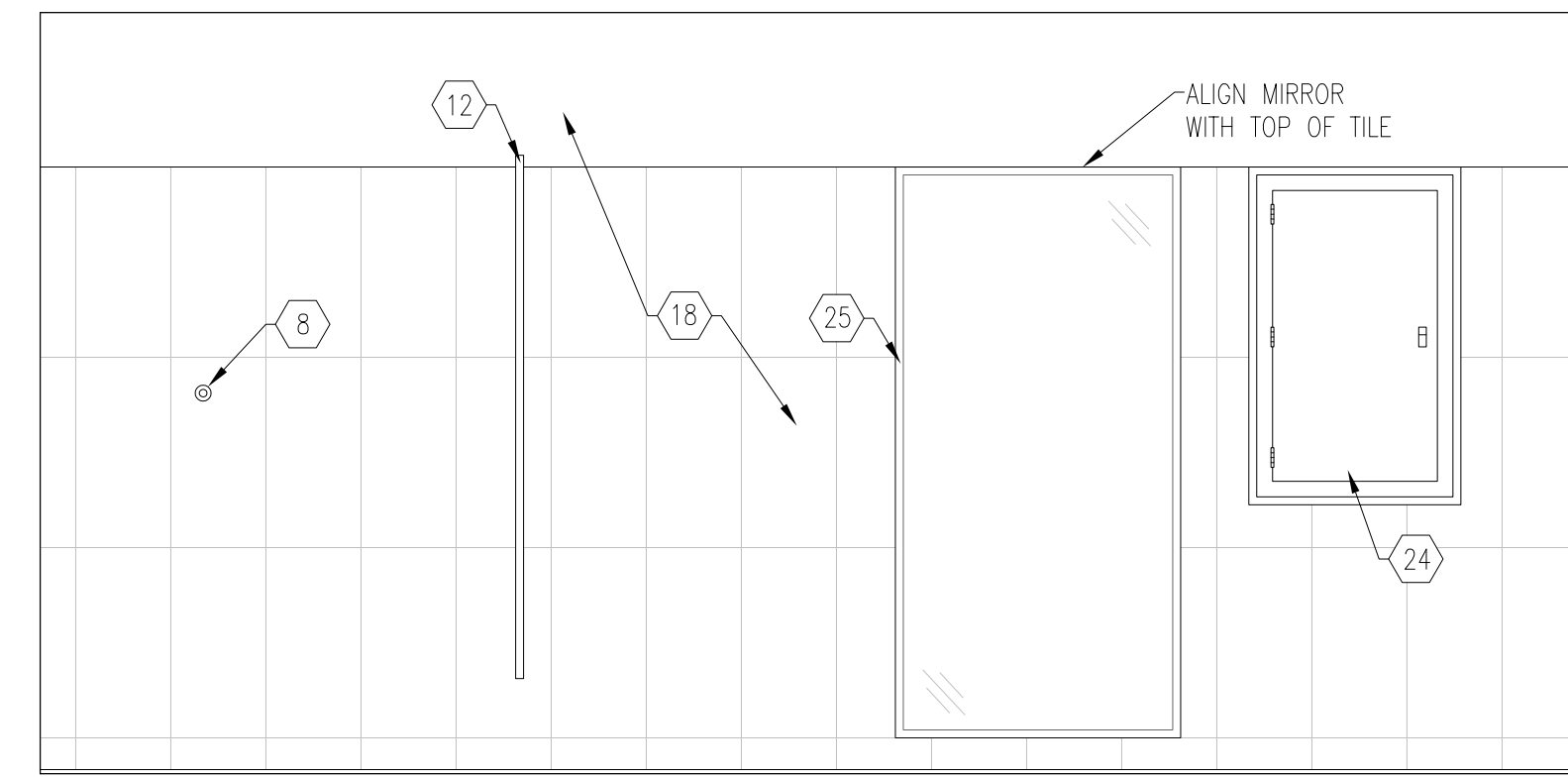
A



B

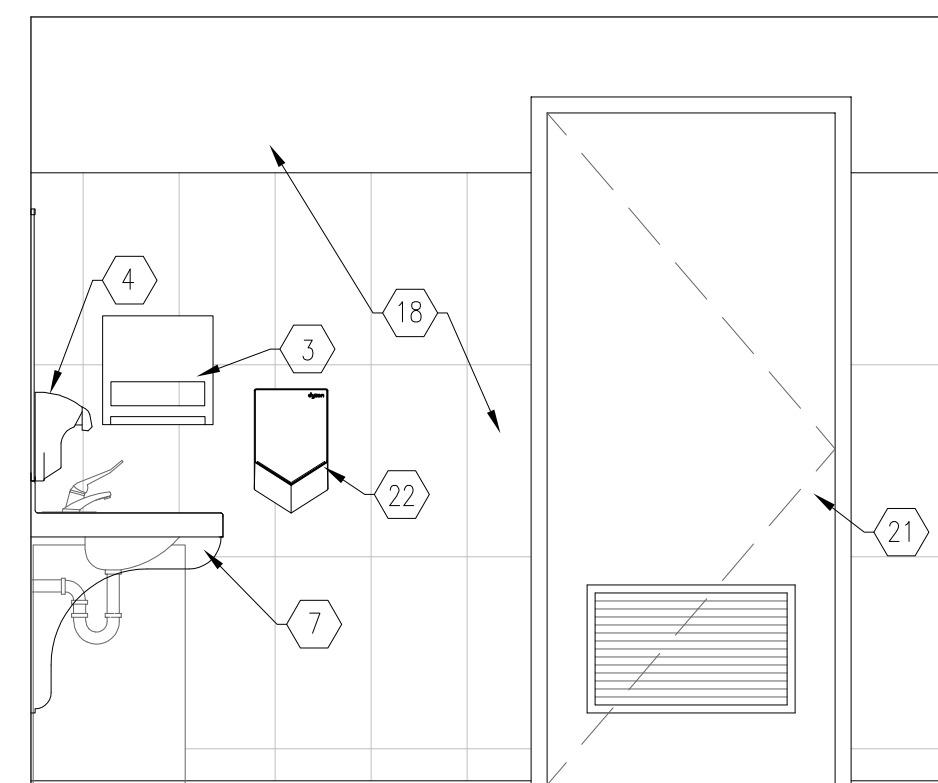


C

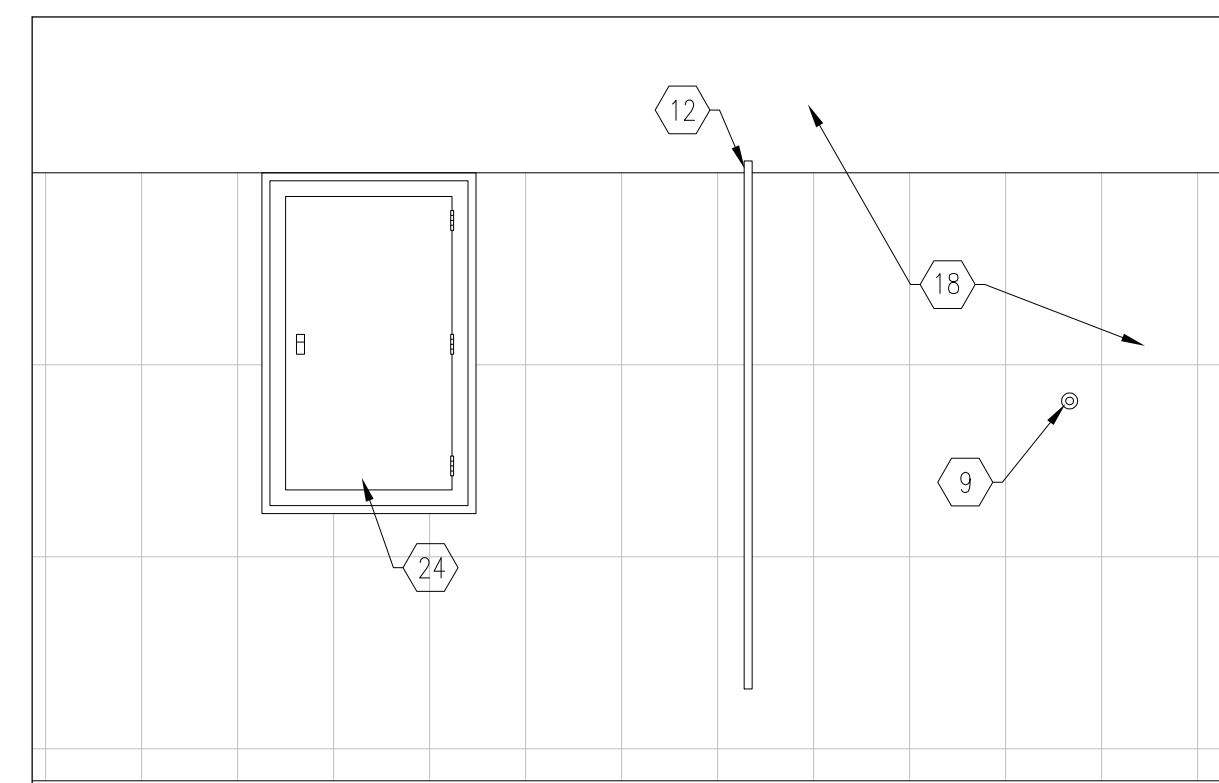


D

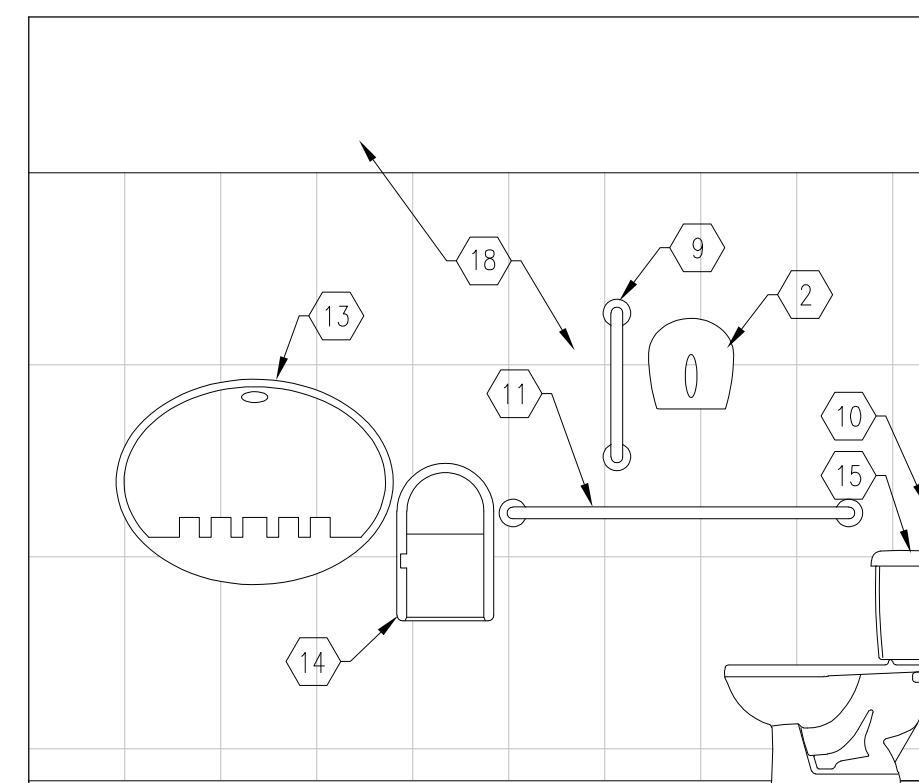
5D WOMEN'S RESTROOM ELEVATIONS
SCALE: 1/2" = 1'-0"



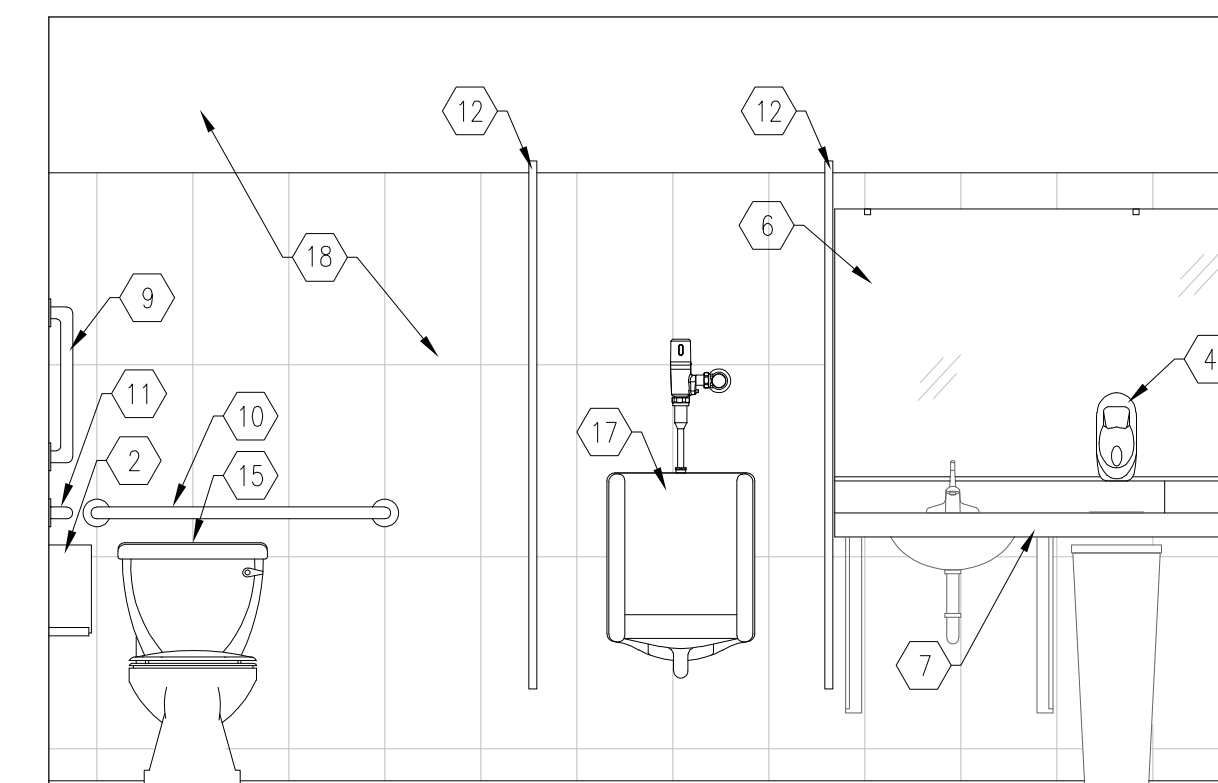
E



F

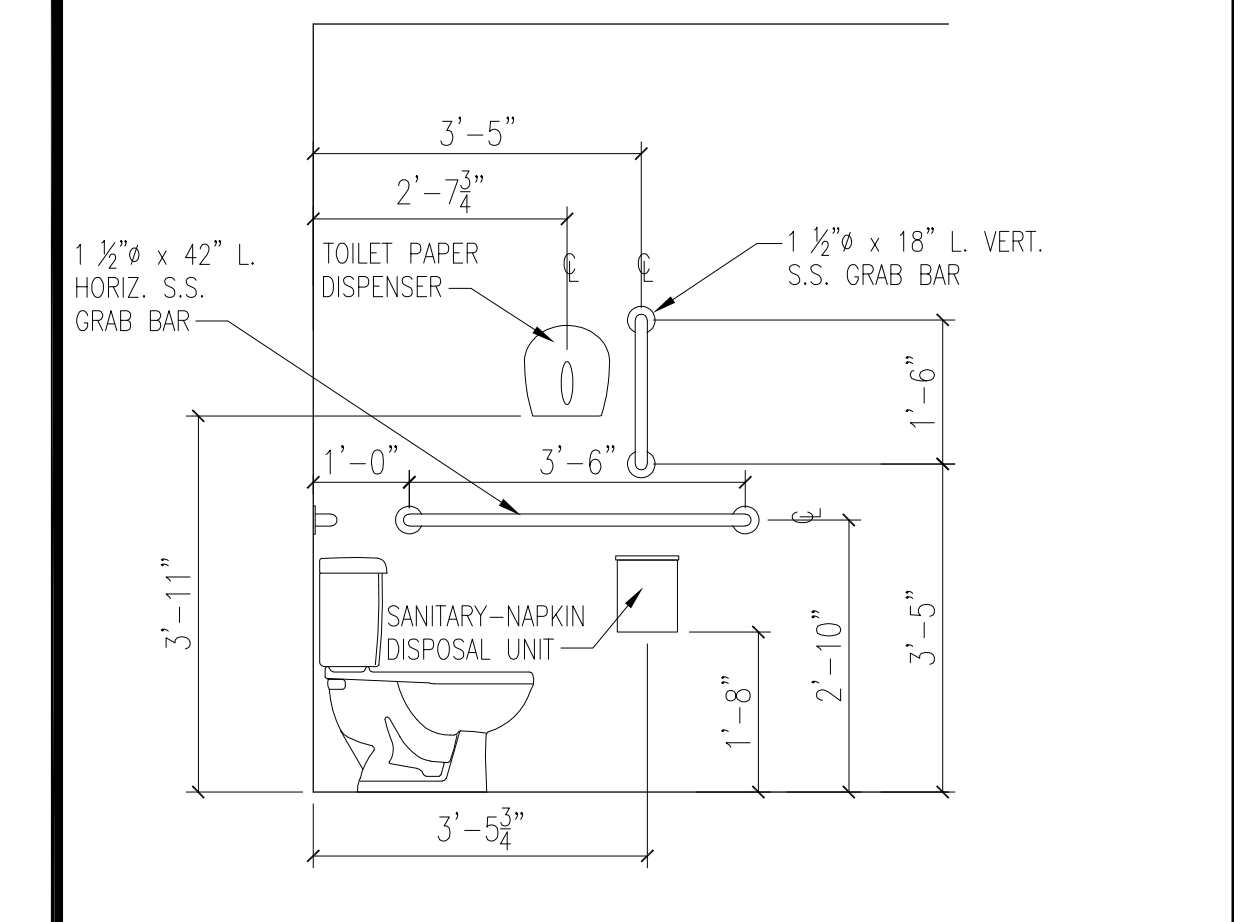


G

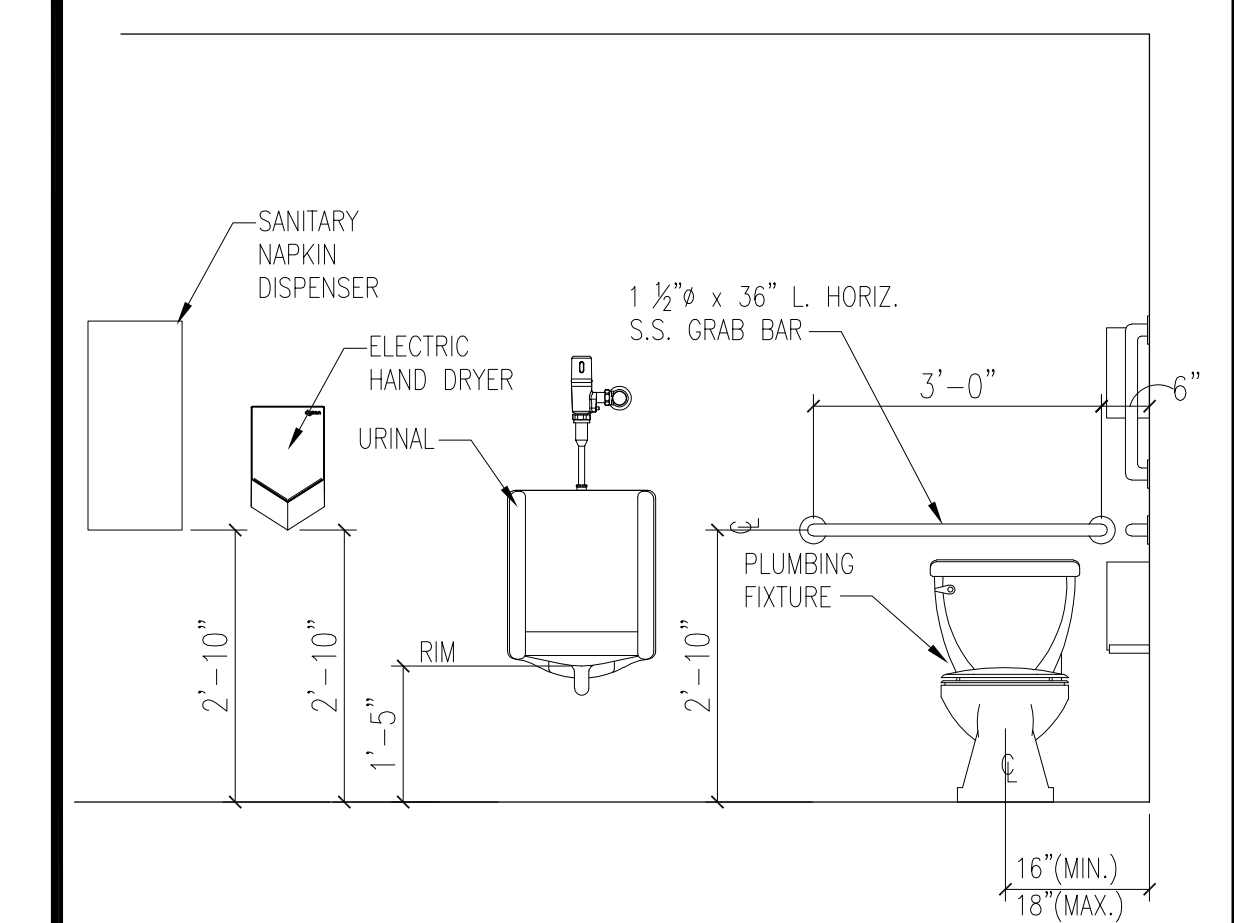


H

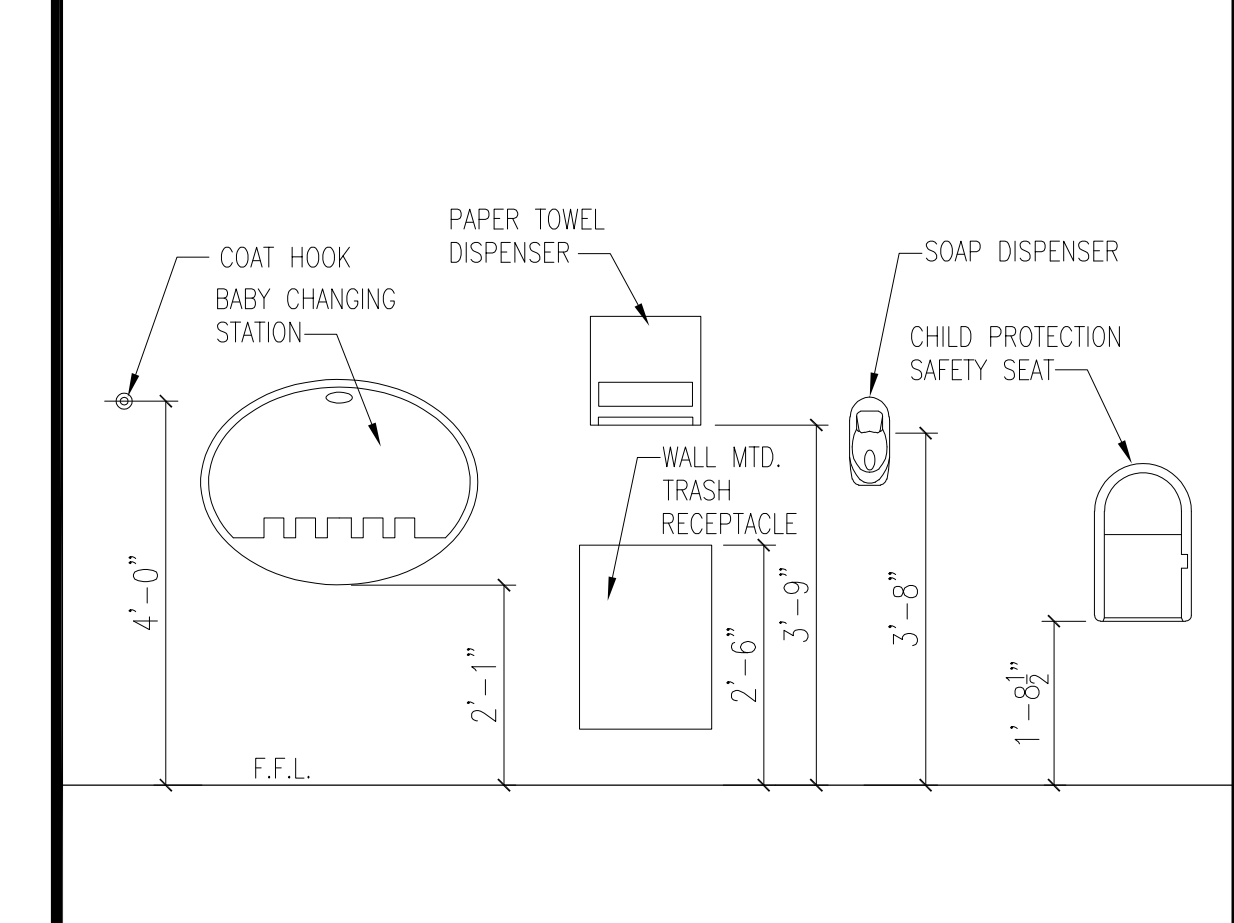
5C MEN'S RESTROOM ELEVATIONS
SCALE: 1/2" = 1'-0"



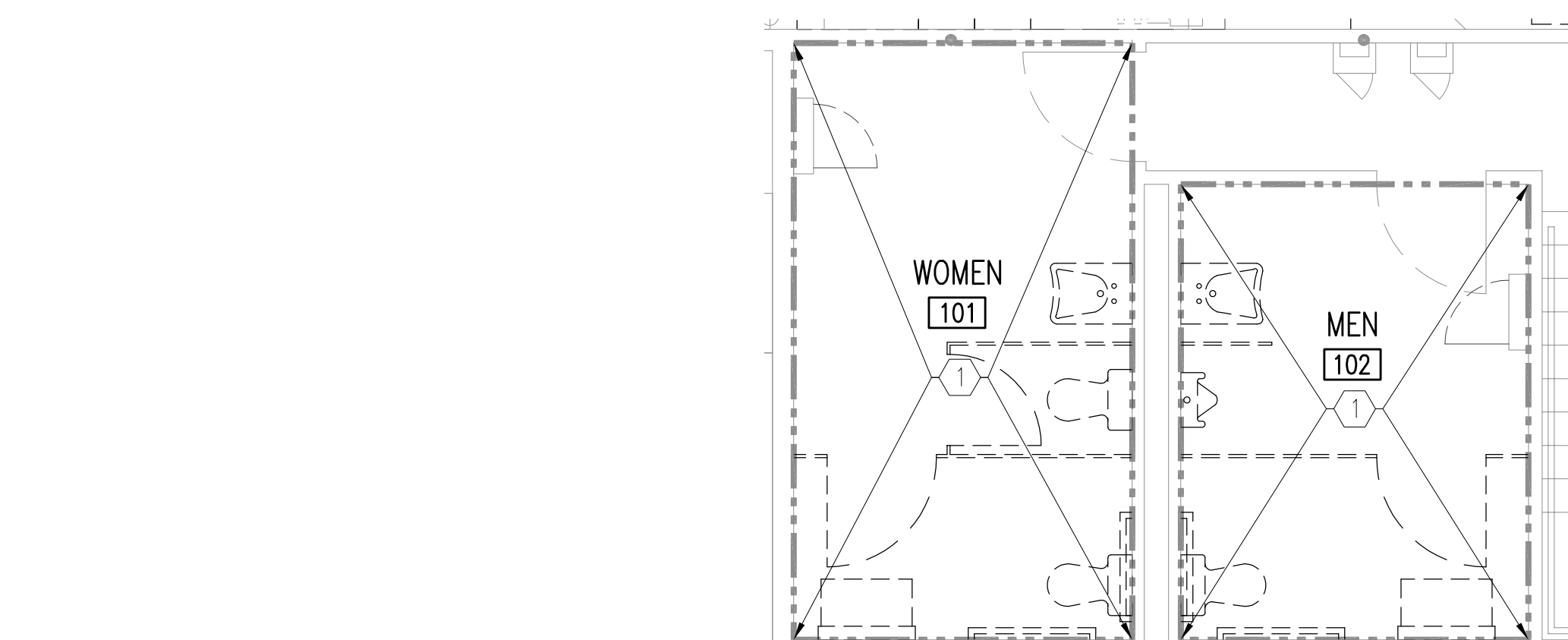
1E RESTROOM GUIDELINES
SCALE: 1/2" = 1'-0"



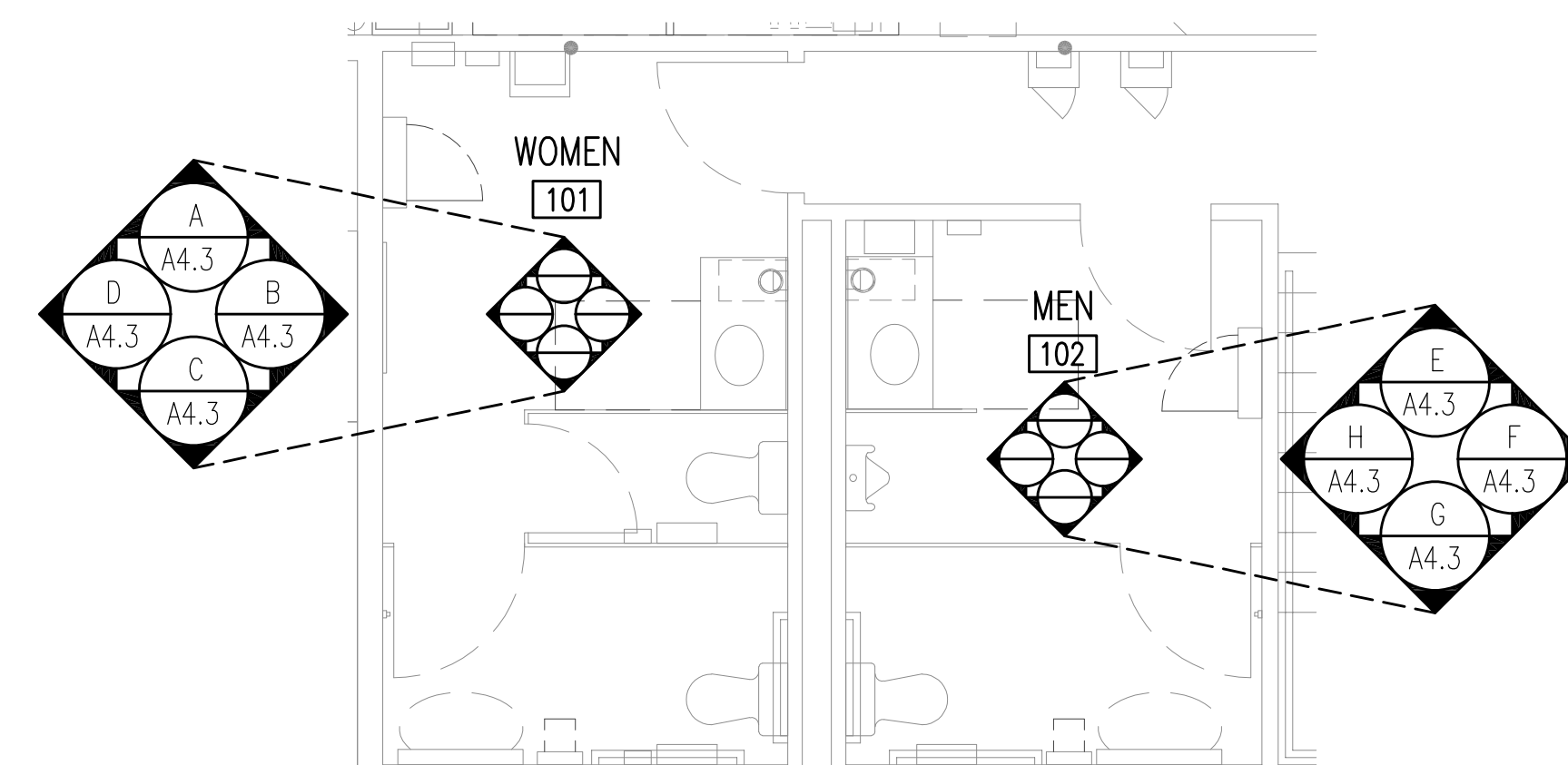
1D RESTROOM GUIDELINES
SCALE: 1/2" = 1'-0"



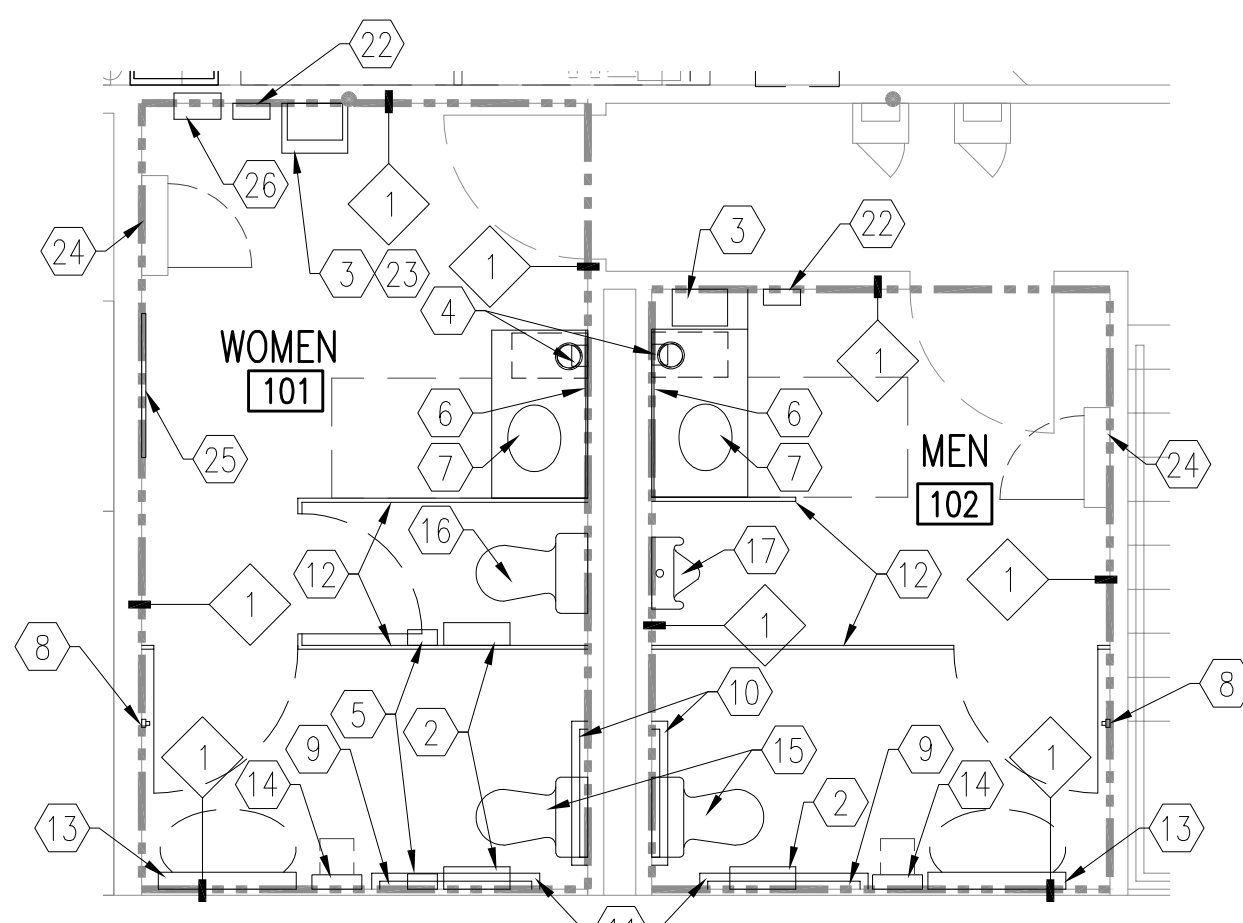
1C RESTROOM GUIDELINES
SCALE: 1/2" = 1'-0"



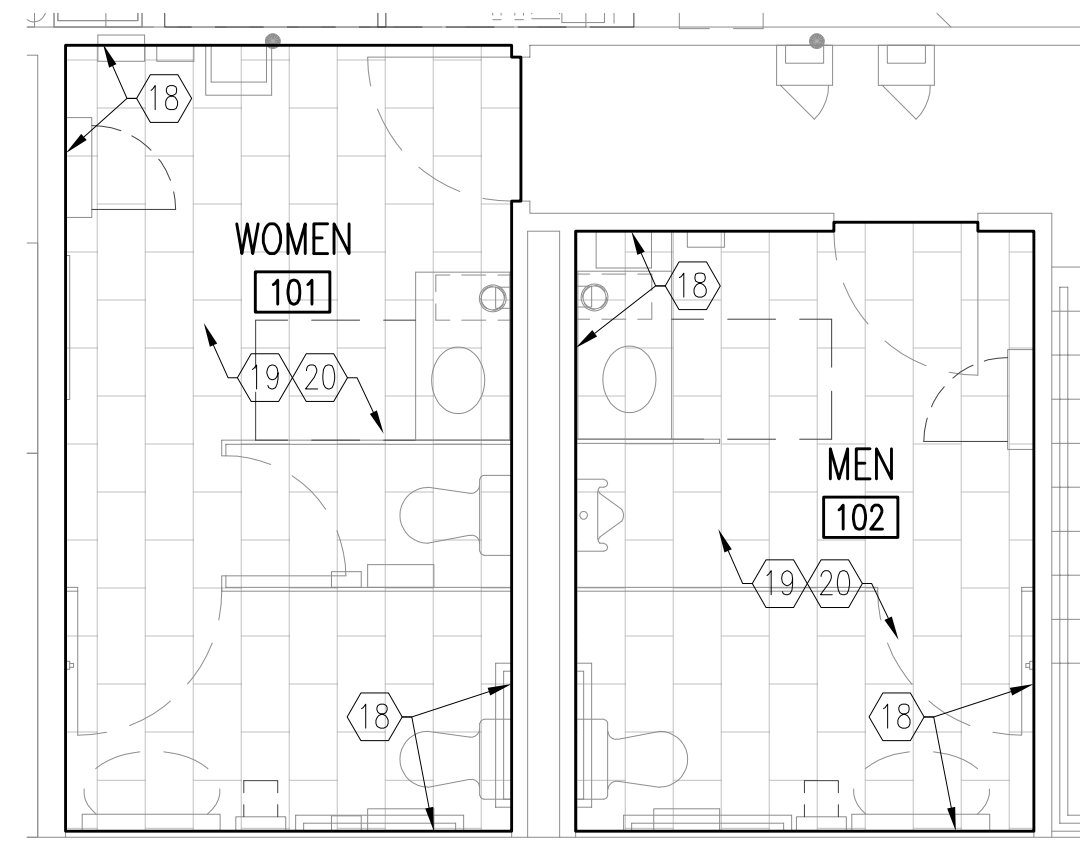
5B ENLARGED DEMOLITION PLAN
SCALE: 1/2" = 1'-0"



4B ENLARGED ELEVATION KEY PLAN
SCALE: 1/2" = 1'-0"



5A ENLARGED NEW WORK PLAN
SCALE: 1/2" = 1'-0"



4A ENLARGED ROOM FINISHES PLAN
SCALE: 1/2" = 1'-0"

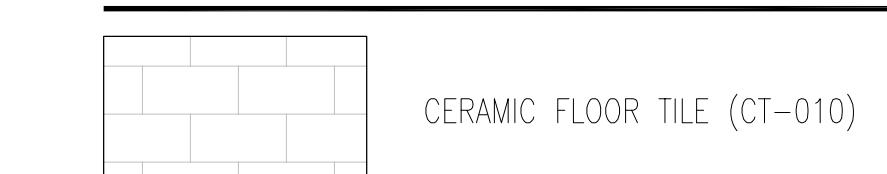
PLAN NOTES

- REMOVE & DISPOSE OF EXISTING RESTROOM INTERIOR SHEATHING/FINISH, FLOOR TILE FINISH, SINKS, PARTITIONS, DISPENSERS AND MIRRORS. CEILING, WALL STUDS, FLOOR SLAB AND CLEANING CABINET TO REMAIN.
- NEW TOILET PAPER DISPENSER, SEE SPEC. SECT. 102813 (F.O./I.C.).
- NEW PAPER TOWEL DISPENSER, SEE SPEC. SECT. 102813 (F.O./I.C.).
- NEW SOAP DISPENSER, SEE SPEC. SECT. 102813 (F.O./I.C.).
- NEW SANITARY-NAPKIN DISPOSAL UNIT, SEE SPEC. SECT. 102813 (F.O./I.C.).
- NEW MIRROR - FULL WIDTH OF COUNTER X 36" H., SEE SPEC. SECT. 088000 & PSD-50 (F.C./I.C.).
- NEW SOLID SURFACE COUNTER TOP W/ INTEGRAL BOWL(S) - SEE SPEC. SECT. 061053 & PSD-50 (F.C./I.C.).
- NEW COAT HOOK, SEE SPEC. SECT. 102813 (F.O./I.C.).
- NEW 1 1/2" x 18" L. VERT. S.S. GRAB BAR - SEE SPEC. SECT. 102813 (F.O./I.C.).
- NEW 1 1/2" x 42" L. HORIZ. S.S. GRAB BAR - SEE SPEC. SECT. 102813 (F.O./I.C.).
- NEW 1 1/2" x 36" L. HORIZ. S.S. GRAB BAR - SEE SPEC. SECT. 102813 (F.O./I.C.).
- NEW TOILET PARTITIONS W/ ONE COAT HOOK PER DOOR ON TOILET SIDE, SEE SPEC. SECT. 102113 (F.O./I.C.).
- NEW BABY CHANGING STATION.
- NEW CHILD PROTECT. SAFETY SEAT, SEE SPEC. SECT. 102813 (F.O./I.C.).
- NEW WATER CLOSET (ACCESSIBLE) PLUMBING FIXTURE. (F.C./I.C.).
- NEW WATER CLOSET PLUMBING FIXTURE. (F.C./I.C.).
- NEW URINAL PLUMBING FIXTURE. (F.C./I.C.).
- NEW CERAMIC WALL TILE (CT-011) W/ PAINT (PT-010) ABOVE PER GID-1/A5.3 & SPEC. SECT. 093000 (F.C./I.C.).
- NEW CERAMIC FLOOR TILE (CT-010) PER GID-1/A5.3 & SPEC. SECT. 093000 (F.C./I.C.). FURNISH & INSTALL NEW WATERPROOF MEMBRANE AT INTERSECTIONS OF FLOOR, COVE BASE AND WALL PER ASD-164.
- RE-PAINT (PT-003) CEILING.
- NEW H.M. DOOR & FRAME (F.C./I.C.); PAINT (PT-010) ON RESTROOM SIDE AND CORRIDOR SIDE PER DECOR DRAWINGS.
- NEW ELECTRIC HAND DRYER (F.C./I.C.). SEE ELECTRICAL DRAWINGS.
- NEW WALL MTD. TRASH RECEPT. SEE SPEC. SECT. 102813 (F.C./I.C.).
- EXISTING CLEANING CABINET.
- NEW MIRROR - 36" W. x 72" H., SEE SPEC. SECT. 088000 (F.C./I.C.).
- NEW SANITARY NAPKIN DISPENSER (F.O./I.C.). SEE SPEC. SECT. 102813.

GENERAL NOTES

- SEE SPECIFICATION SECTIONS 016125 FOR MORE INTERIOR FINISH/DECOR INFORMATION.
- ALL NEW WORK TO BE FURNISHED & INSTALLED BY G.C. UNLESS NOTED OTHERWISE.
- ALL NEW TOILET PARTITIONS ARE TO MATCH EXISTING SIZE/LAYOUT/LOCATION OF EXISTING. G.C. TO COORDINATE W/ SHOP DRAWINGS.
- SEE SHEET A3.1 FOR PARTITION DETAILS.
- SEE A5. SHEET SERIES FOR ASD & GID DETAILS.
- REMOVE EXISTING SHEATHING AND FURNISH/INSTALL NEW SHEATHING (INDICATED AS ---) ON EXISTING WALL STUDS PER DETAIL INDICATED. INTENT IS TO PROVIDE NEW SHEATHING FOR NEW WALL TILE & PAINTING FINISHES.
- REMOVE EXISTING SLAB AS/WHERE REQUIRED FOR NEW UNDER-SLAB PLUMBING WORK. REPLACE SLAB PER ASD-69. SEE PLUMBING DRAWINGS.
- ABBREVIATIONS: F.C.(FURNISHED BY CONTRACTOR), I.C.(INSTALLED BY CONTRACTOR), F.O.(FURNISHED BY OWNER), I.O.(INSTALLED BY OWNER). INSTALL SOLID FRT WOOD BLOCKING IN ALL WALL LOCATIONS WHERE WALL MOUNTED FIXTURES, EQUIPMENT AND/OR ACCESSORIES ARE TO BE LOCATED. INCLUDING BUT NOT EXCLUSIVE TO:
URINAL GRAB BARS DISPENSERS
BABY CHANGING STATION COUNTERS

LEGEND



NO.	REVISIONS

MARK	DATE	DESCRIPTION