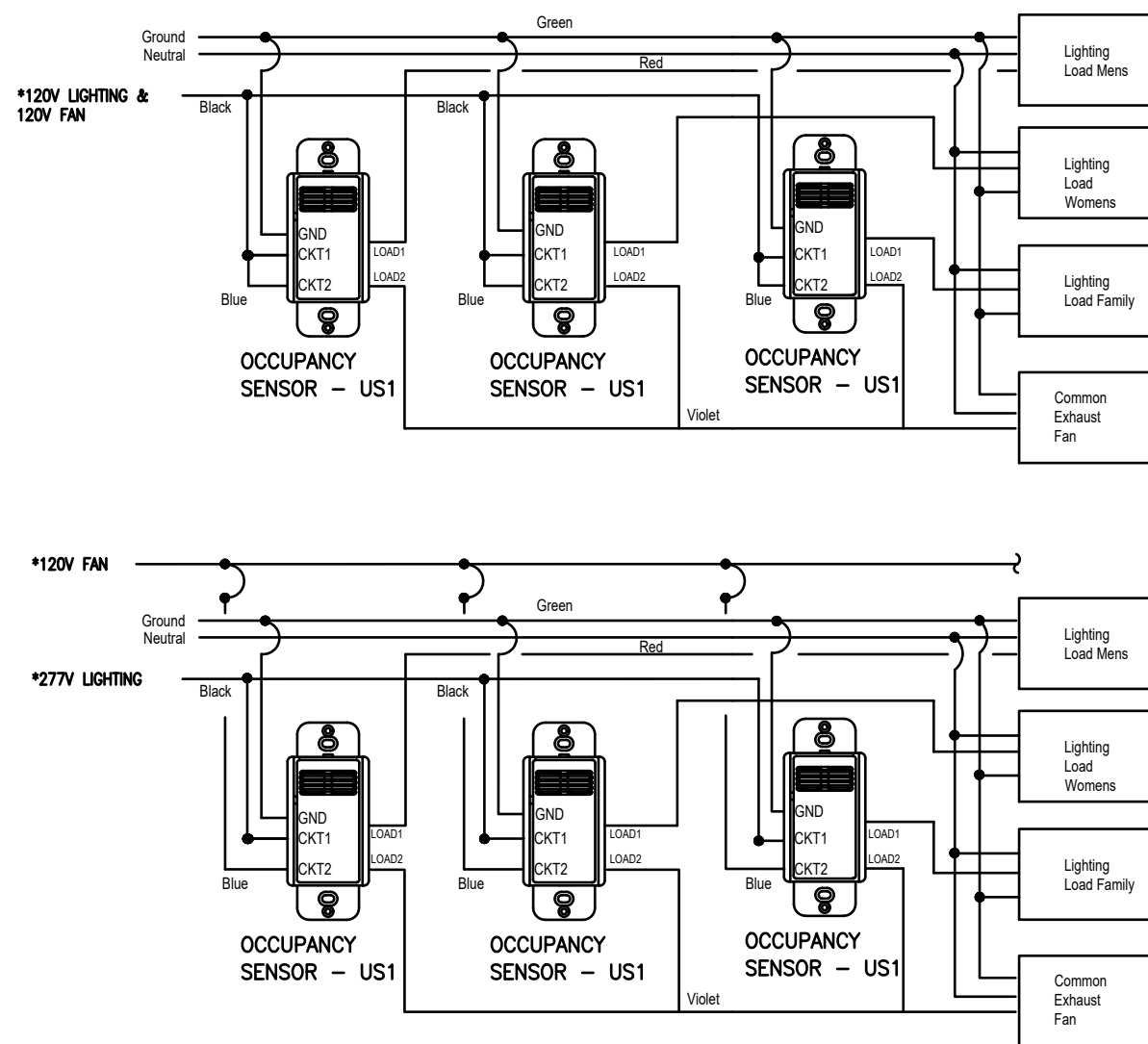
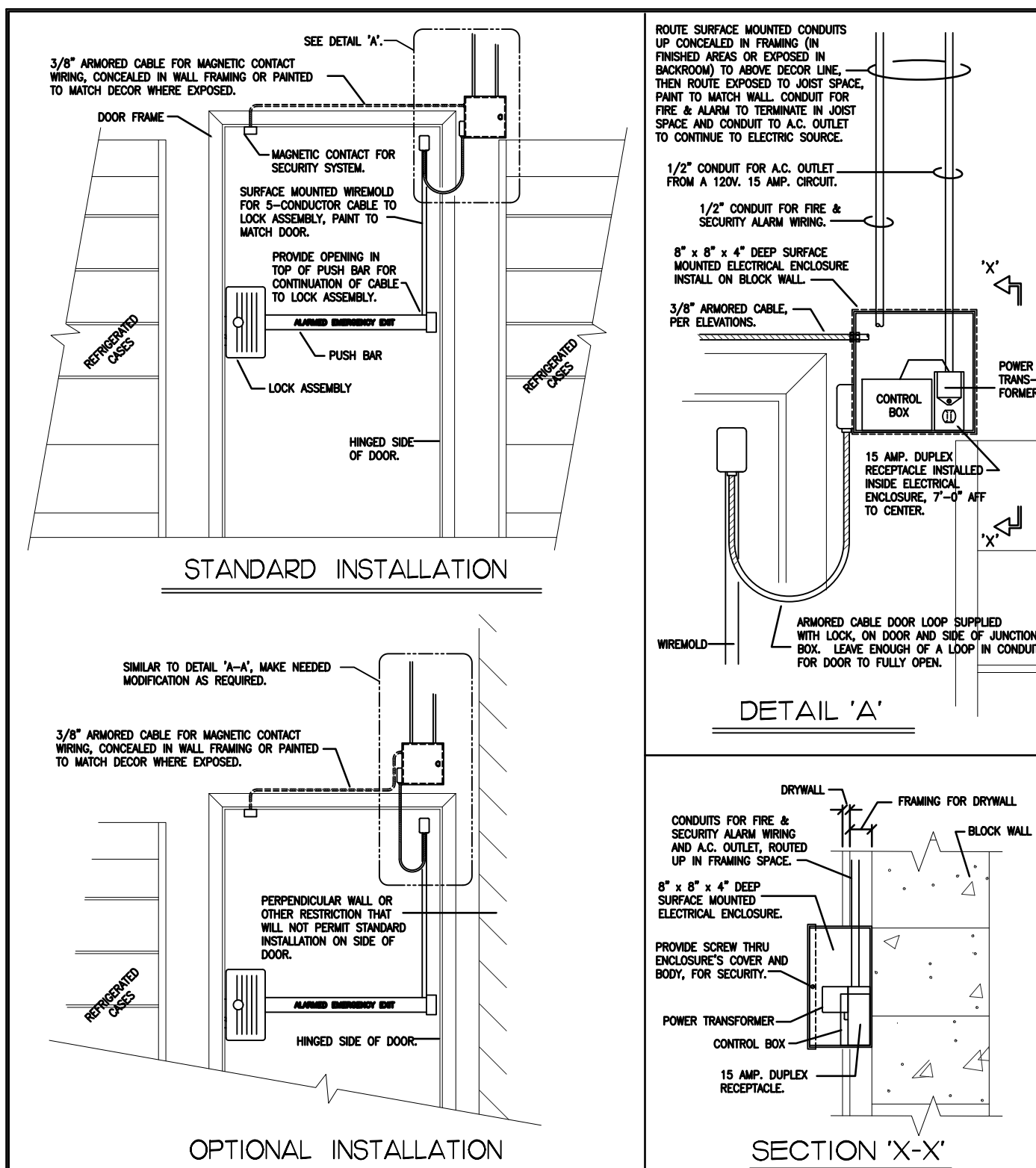


Notes:

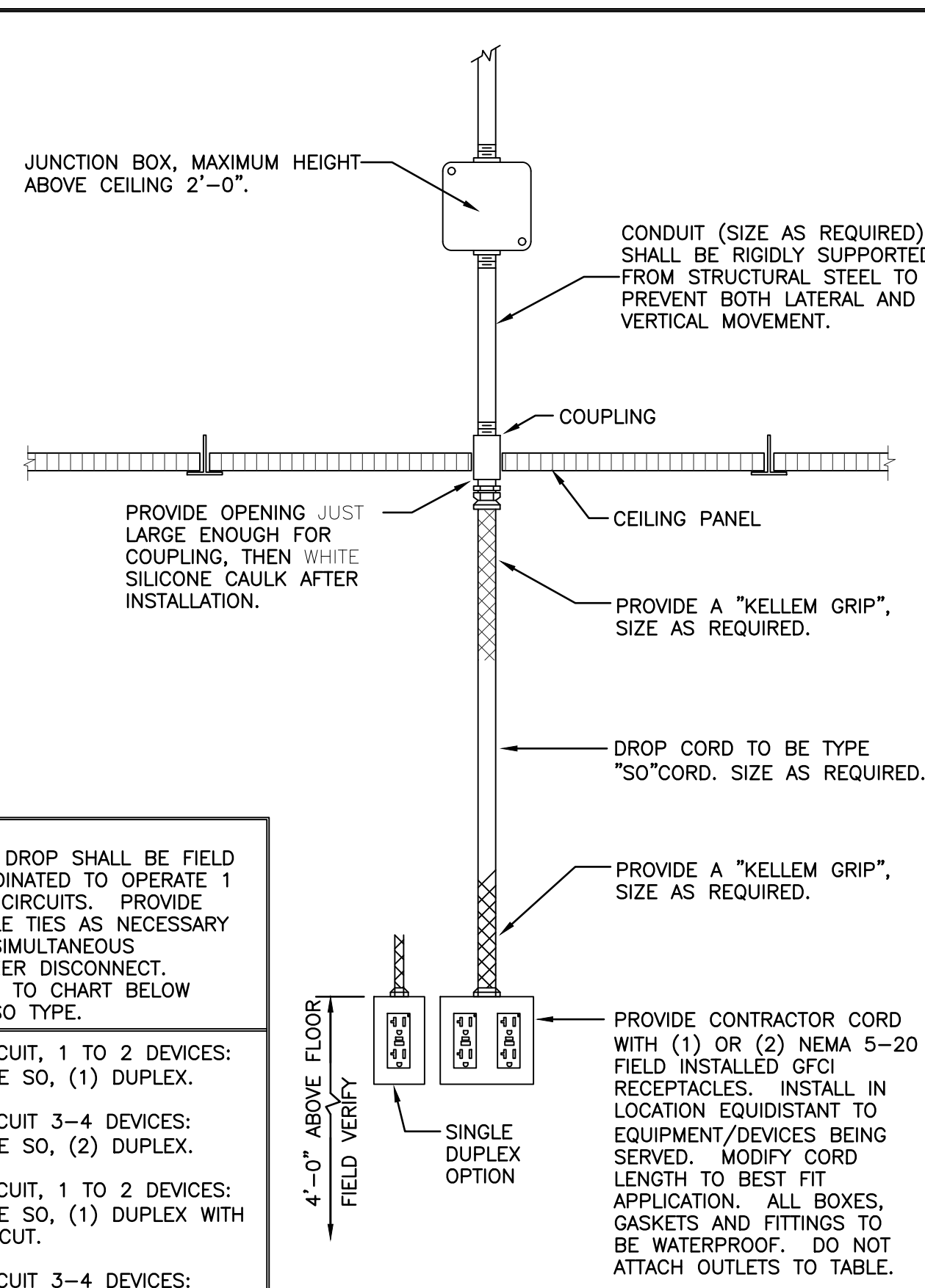
1. US1 --- WATSTOPPER ULTRASONIC OCCUPANCY SENSOR MODEL UW-200.
2. REFER TO LIGHTING PLAN REFERENCE DRAWINGS FOR LIGHT FIXTURE AND OCCUPANCY SENSOR REQUIREMENTS.



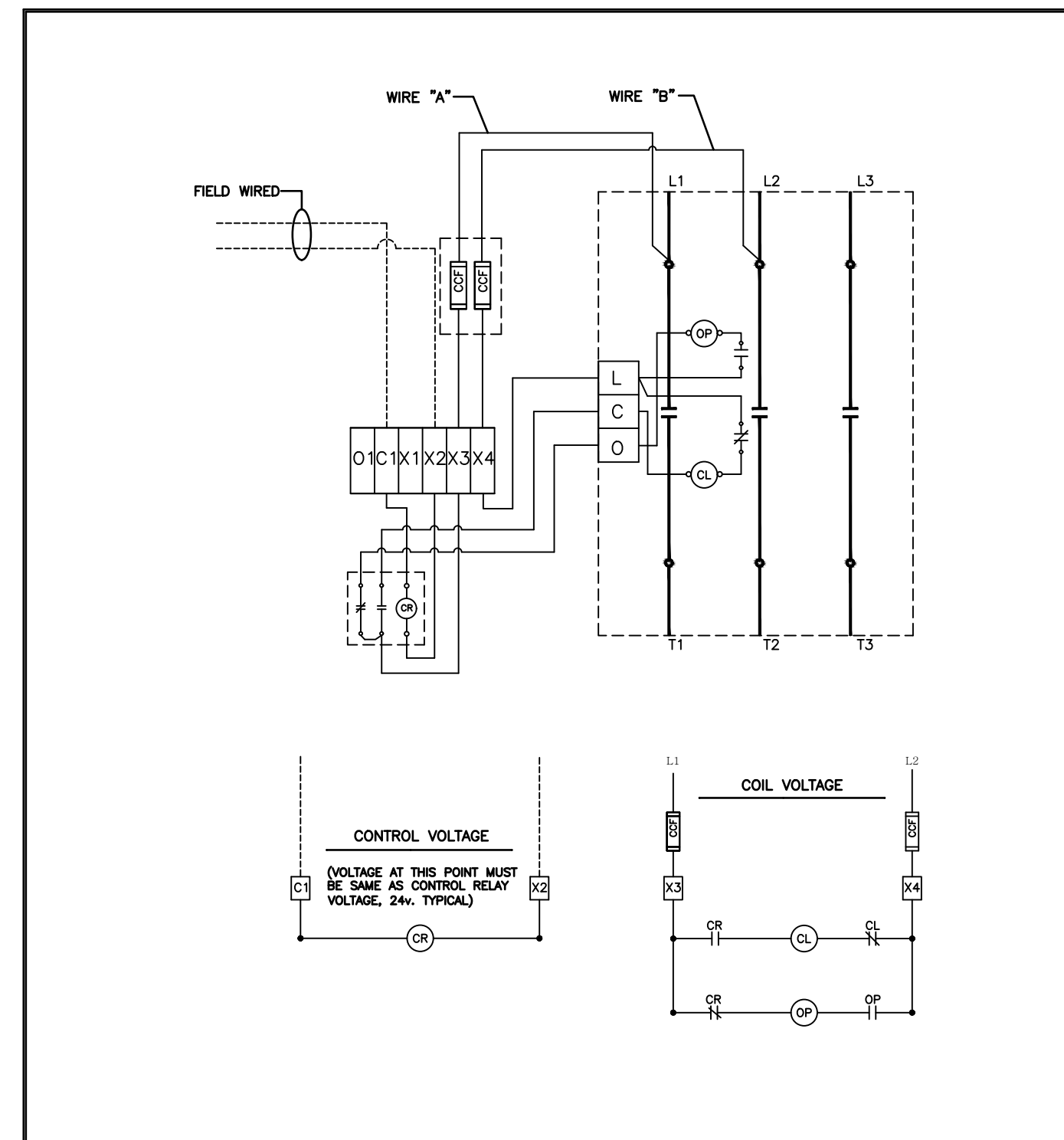
RESTROOM LIGHTING AND EXHAUST FAN CONTROL
DATE: 5-7-14
SCALE: NONE
DRAWN: ZAW
MASTER SPECIFICATION DETAIL
ESD-25



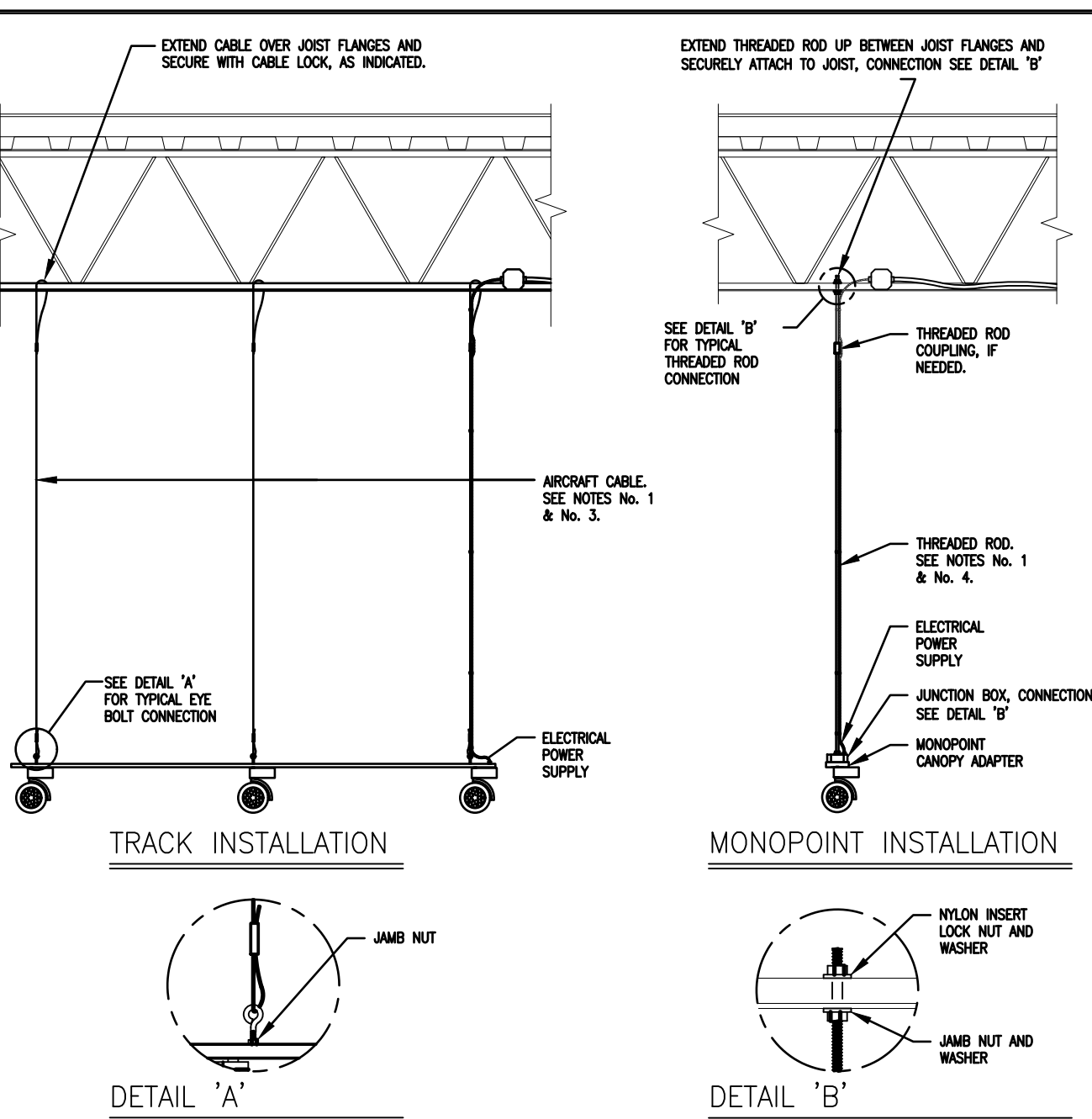
ALARMED EMERGENCY SINGLE EXIT DOOR (HOLLOW METAL)
DATE: 8/1/19
SCALE: NONE
DRAWN: ZAW
MASTER SPECIFICATION DETAIL
ESD-22



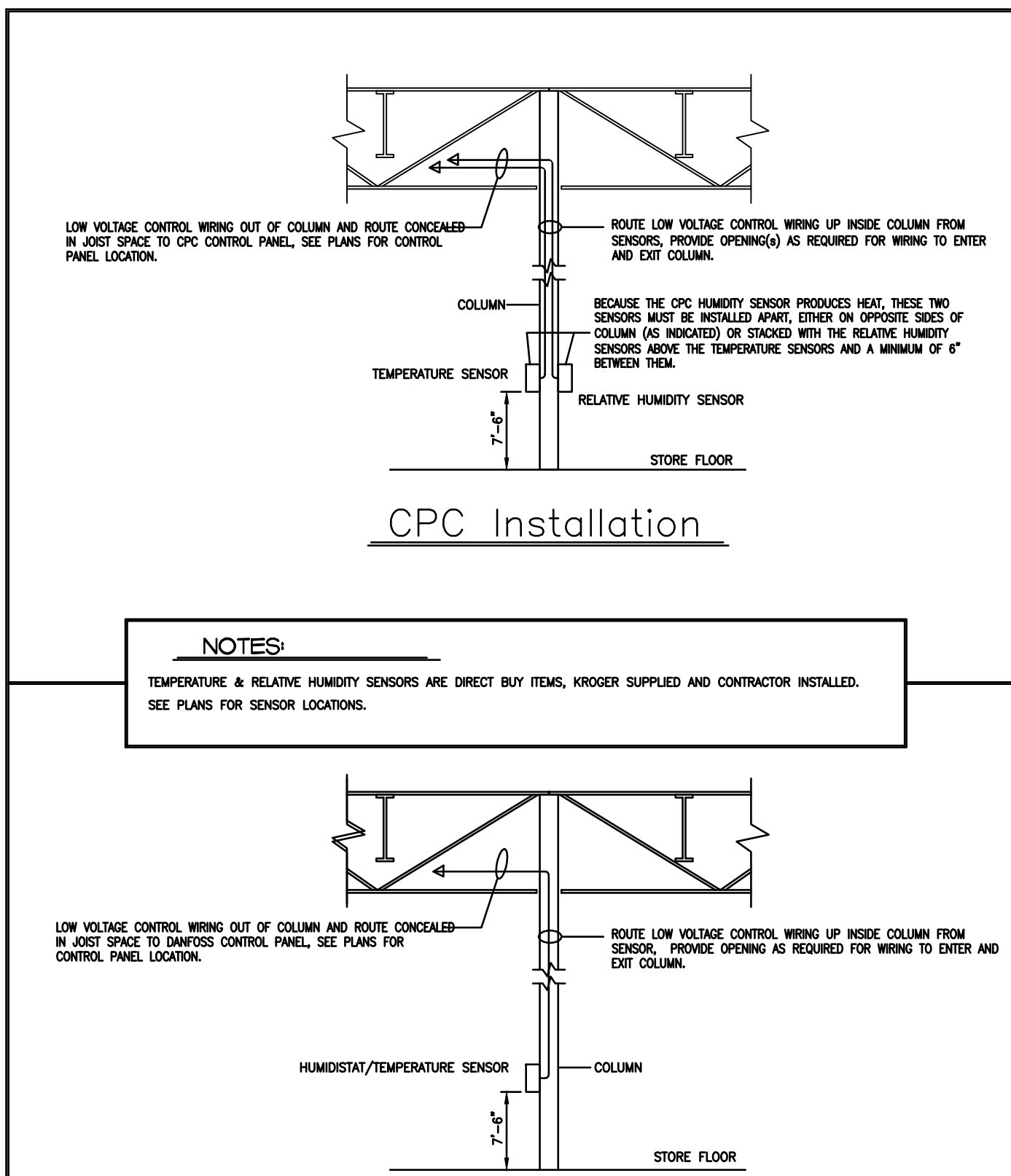
PENDANT MULTI RECEPTACLE FOR CEILING
DATE: 1/31/17
SCALE: NONE
DRAWN: ZAW
MASTER SPECIFICATION DETAIL
ESD-16A



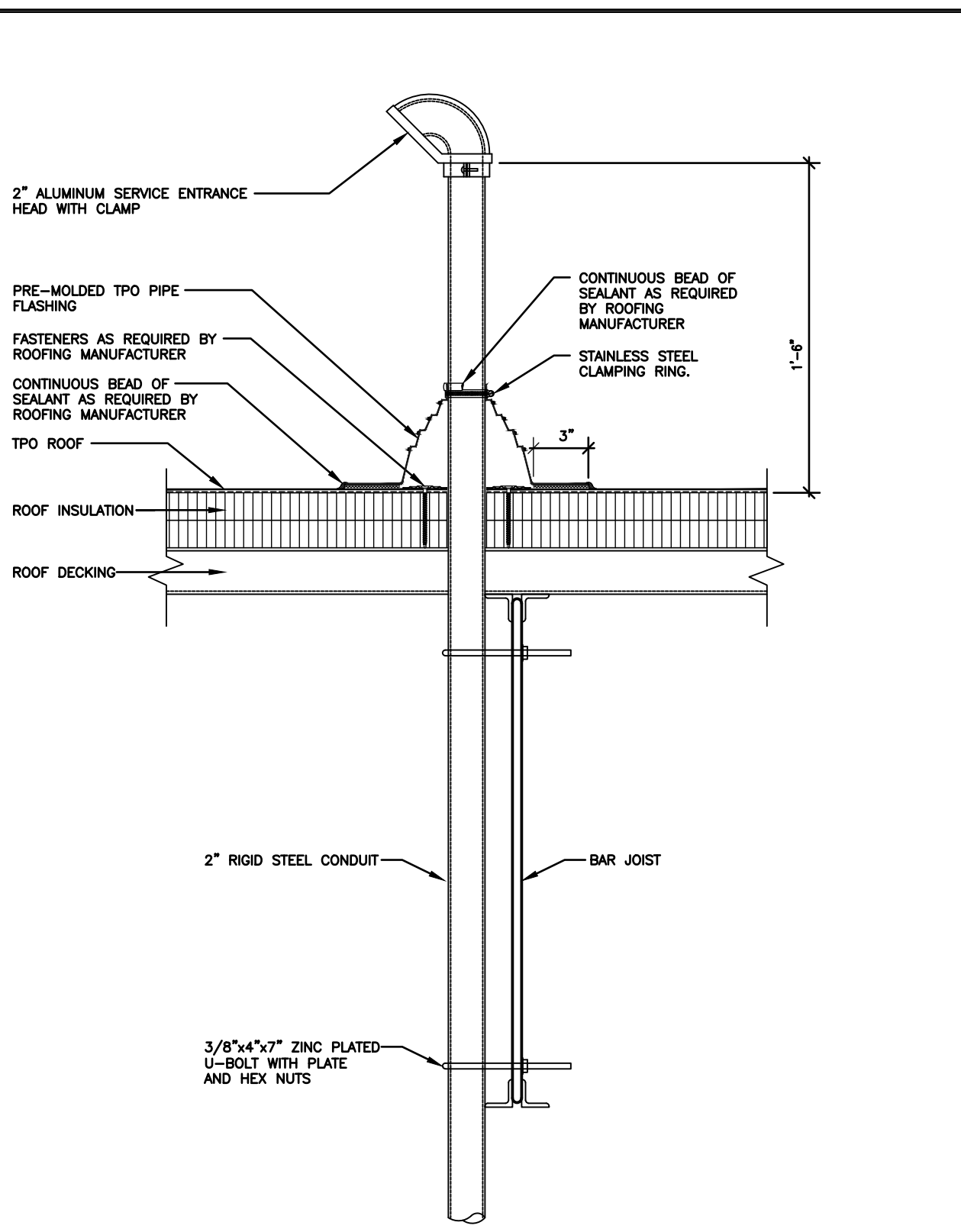
LIGHTING CONTACTOR WIRING DIAGRAM
DATE: 7/8/10
SCALE: NONE
DRAWN: JR
MASTER SPECIFICATION DETAIL
ESD-13



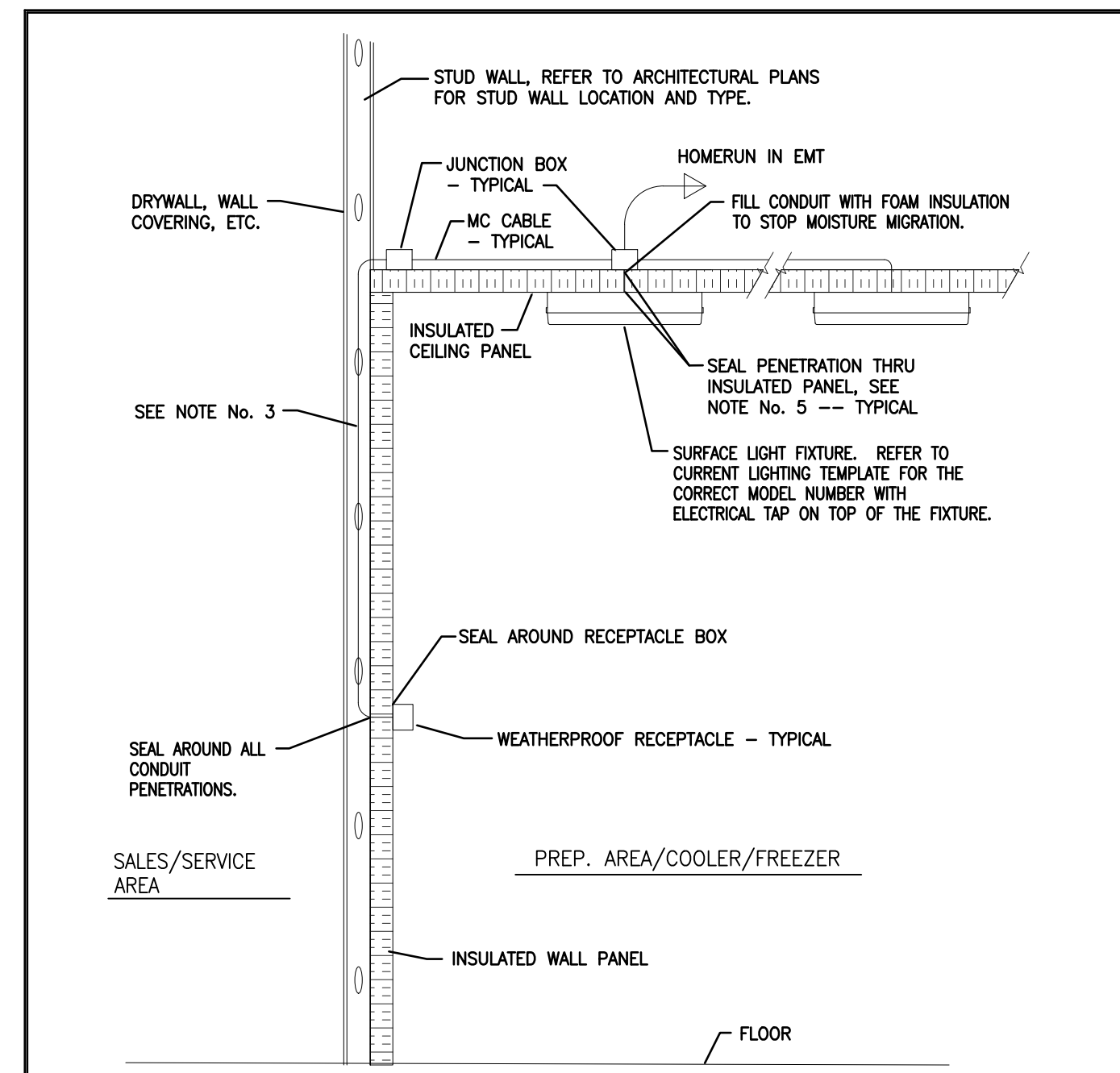
LED TRACK LIGHT & MONOPOINT DETAIL
DATE: 11-5-13
SCALE: NONE
DRAWN: ZAW
MASTER SPECIFICATION DETAIL
ESD-50



TEMPERATURE SENSOR AND HUMIDITY SENSOR INSTALLATION
DATE: 4/15/11
SCALE: NONE
DRAWN: JFQ
MASTER SPECIFICATION DETAIL
ESD-46



SATELLITE ANTENNA CABLE THRU ROOF
DATE: 1/31/17
SCALE: NONE
DRAWN: ZAW
MASTER SPECIFICATION DETAIL
ESD-27



CONDUIT INSTALL FOR AREAS WITH PREFAB. INSULATED PANEL CEILING
DATE: 11/10/16
SCALE: NONE
DRAWN: ZAW
MASTER SPECIFICATION DETAIL
ESD-26